

SMD Aluminum Electrolytic Capacitor – JCC

FEATURES

- Low leakage current (0.5~3.3µA Max.)
- Low cost for replacement of some tantalum applications
- Comply with the RoHS directive



SPECIFICATIONS

Operating Temperature: -40°C ~ +85°C
 Voltage Range: 6.3V ~ 50V.DC
 Capacitance Range: 0.1 ~ 220 µF
 Capacitance Tolerance: ±20% at 120Hz, 20°C
 Leakage Current: Leakage current ≤ 0.002CV or 0.5µA, whichever is greater (After 2 minutes' application of rated voltage)
 Dissipation Factor (Tan δ): Measurement Frequency: 120Hz, Temperature: 20°C

Rated Voltage (V)	6.3	10	16	25	35	50
Surge Voltage (V)	8.0	13	20	32	44	63
Tan δ (Max.)	0.24	0.20	0.16	0.14	0.12	0.1

Stability At Low Temp.

Measurement Frequency: 120Hz

Rated Voltage (V)	6.3	10	16,25	35,50
Impedance Ratio Z (-25°C) / Z(20°C)	4	3	2	2
ZT / Z20 (Max.) Z (-40°C) / Z(20°C)	8	6	4	3

Load Life

After 2000 hours application of rated voltage at 85°C, Capacitors meet the characteristics requirements listed below.

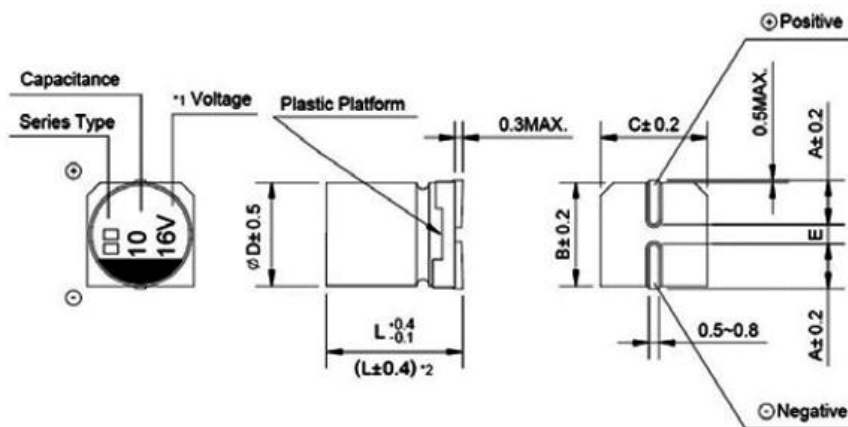
Capacitance Change	Within ± 25% of initial value
Dissipation Factor	200% or less of initial specified value
Leakage Current	Initial specified value or less

Resistance to Soldering Heat

After reflow soldering and restored at room temperature, they meet the characteristics listed below.

Capacitance Change	Within ± 10% of initial value
Dissipation Factor	Initial specified value or less
Leakage Current	Initial specified value or less

DRAWING (Unit: mm)



*1 Voltage mark for 6.3V is [6V]

2 Applicable to Φ6.3

ΦDxL	4x5.4	5x5.4	6.3x5.4	6.3x7.7
A	2.0	2.2	2.6	2.6
B	4.3	5.3	6.6	6.6
C	4.3	5.3	6.6	6.6
E±0.2	1.0	1.4	1.9	1.9
L	5.4	5.4	5.4	7.7

Please visit our website to get more update data, those data & specification are subject to change without notice.

SMD Aluminum Electrolytic Capacitor – JCC

FREQUENCY COEFFICIENT OF ALLOWABLE RIPPLE CURRENT

Frequency	~50Hz	120Hz	300Hz	1KHz	10KHz~
Coefficient	0.7	1.0	1.17	1.36	1.50

DIMENSIONS & MAXIMUM PERMISSIBLE RIPPLE CURRENT&ESR

WV		6.3(0J)			10(1A)			16(1C)		
Parameter		Case Size ØDxL (mm)	E.S.R. (Ω) 20°C 120Hz	Ripple current (mA rms) at 85°C 120Hz	Case Size ØDxL (mm)	E.S.R. (Ω) 20°C 120Hz	Ripple current (mA rms) at 85°C 120Hz	Case Size ØDxL (mm)	E.S.R. (Ω) 20°C 120Hz	Ripple current (mA rms) at 85°C 120Hz
uF										
10	100							4×5.4	34.5	25
22	220	4×5.4	23.5	31	5×5.4	19.6	35	5×5.4	15.7	39
33	330	5×5.4	15.7	39	5×5.4	13.1	43	6.3×5.4	10.5	57
47	470	5×5.4	11.0	47	6.3×5.4	9.2	59	6.3×5.4	7.3	68
100	101	6.3×5.4	5.2	75	6.3×5.4	4.3	76	6.3×7.7	3.5	96
220	221	6.3×7.7	2.4	85						

DIMENSIONS & MAXIMUM PERMISSIBLE RIPPLE CURRENT&ESR

WV		25(1E)			35(1V)			50(1H)		
Parameter		Case Size ØDxL (mm)	E.S.R. (Ω) 20 °C 120Hz,	Ripple current (mA rms) at 85°C 120Hz	Case Size ØDxL (mm)	E.S.R. (Ω) 20°C 120Hz,	Ripple current (mA rms) at 85°C 120Hz	Case Size ØDxL (mm)	E.S.R. (Ω) 20°C 120Hz,	Ripple current (mA rms) at 85°C 120Hz
uF										
0.1	OR1							4×5.4	2156	1.0
0.22	R22							4×5.4	980	2.3
0.33	R33							4×5.4	653	3.5
0.47	R47							4×5.4	459	5
1	O10							4×5.4	216	10
2.2	2R2							4×5.4	98	15
3.3	3R3							4×5.4	65	18
4.7	4R7	4×5.4	64.2	19	4×5.4	55.1	20	5×5.4	46	23
10	100	5×5.4	30.2	28	5×5.4	25.9	30	6.3×5.4	22	34
22	220	6.3×5.4	13.7	52	6.3×5.4	11.8	54	6.3×7.7	9.8	85
33	330	6.3×5.4	9.1	63	6.3×7.7	7.8	105			
47	470	6.3×7.7	6.4	100	6.3×7.7	5.5	110			

Please visit our website to get more update data, those data & specification are subject to change without notice.