

jb[®] SMD Aluminum Electrolytic Capacitor – JCK

■ FEATURES

- Chip type, operating with wide temperature range -40~+105°C.
- Load Life of 1,000~2,000 hours
- Designed for surface mounting on high density circuit board.
- Emboss carrier tape packing system is available for automatic insertion.



■ SPECIFICATIONS

- Operating Temperature -40°C ~ +105°C
- Voltage Range 4V ~ 100V.DC
- Capacitance Range 0.1 ~ 470 μF
- Capacitance Tolerance ±20% at 120Hz, 20°C
- Leakage Current Leakage current (Φ4~Φ8x6.2) ≤ 0.01CV or 3μA, whichever is greater. (after 2 minutes application of rated voltage)

- Dissipation Factor (tan δ) Measurement frequency: 120Hz, Temperature: 20°C

Rated Voltage (V)	4	6.3	10	16	25	35	50	63	100
tanδ (max)	0.35	0.26	0.20	0.16	0.14	0.12	0.12	0.12	0.12

- Stability At Low Temp. Measurement frequency: 120Hz

Rated Voltage (V)		4	6.3	10	16	25	35	50~63	100
Impedance Ratio	Φ4~Φ8x6.2	Z-25°C / Z+20°C	7	4	3	2	2	2	3
		Z-40°C / Z+20°C	15	8	6	4	4	3	4

- Load Life the characteristics After 2000 hours (1000hrs. for Φ4~Φ6.3x5.4) application of rated voltage at 105°C, capacitors meet requirements listed below.

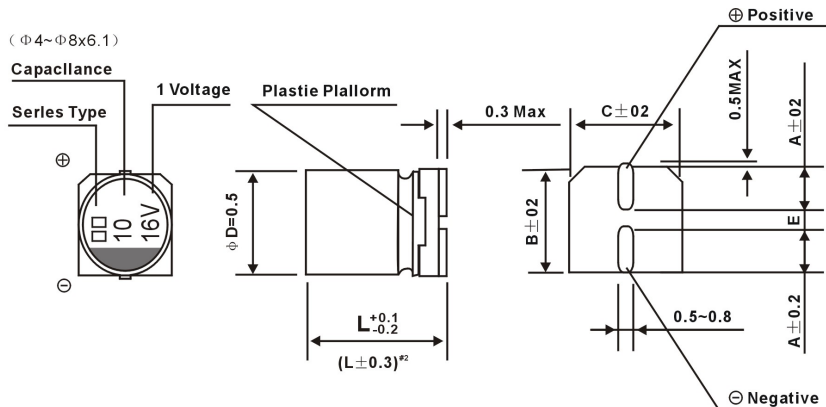
Capacitance Change	within ± 20% of initial value for capacitors of 10V or more
Dissipation Factor	200% or less of initial specified value
Leakage Current	Initial specified value or less

- Self Life After leaving capacitors under no load at 105°C for 1000 hours, they meet the specified value for load life characteristics listed above.

- Resistance to Soldering Heat After reflow soldering and restored at room temperature, they meet the characteristics listed below.

Capacitance Change	Within ± 10% of initial value
Tan δ	Initial specified value or less
Leakage Current	Initial specified value or less

■ DRAWING



#1 Voltage mark for 6.3V is [6V]

#2 Applicable to 6.3 x 7.7

ΦDxL	4x5.4	5x5.4	6.3x5.4	6.3x7.7	8x6.2
A	1.8	2.1	2.4	2.4	3.3
B	4.3	5.3	6.6	6.6	8.3
C	4.3	5.3	6.6	6.6	8.3
E±0.2	1.0	1.3	2.2	2.2	2.2
L	5.4	5.4	5.4	7.7	6.2

Please visit our website to get more update data, those data & specification are subject to change without notice.

jb[®] Capacitors Company

Web-site: www.jbcapacitors.com

E-mail: info@jbcapacitors.com

Tel : (852)2790 5091

Fax: (852)8169 8283

SMD Aluminum Electrolytic Capacitor – JCK

■ Frequency coefficient of allowable ripple current

Coefficient		Frequency		50Hz	120Hz	300Hz	1kHz	10kHz~
		Φ4~Φ8x6.2	0.1~68uF	0.70	1.00	1.17	1.36	1.50
			100~470uF	0.85	1.00	1.08	1.2	1.30

■ STANDARD SIZE

WV/V		4		6.3		10		16		25		35		50	
Cap/μF		0G		0J		1A		1C		1E		1V		1H	
0.1	0R1	--	--	--	--	--	--	--	--	--	--	--	--	4x5.4	0.7
0.22	R22	--	--	--	--	--	--	--	--	--	--	--	--	4x5.4	1.6
0.33	R33	--	--	--	--	--	--	--	--	--	--	--	--	4x5.4	2.5
0.47	R47	--	--	--	--	--	--	--	--	--	--	--	--	4x5.4	3.5
1	010	--	--	--	--	--	--	--	--	--	--	--	--	4x5.4	7
2.2	2R2	--	--	--	--	--	--	--	--	--	--	--	--	4x5.4	11
3.3	3R3	--	--	--	--	--	--	--	--	--	--	--	--	4x5.4	13
4.7	4R7	--	--	--	--	--	--	--	--	--	--	--	--	5x5.4 4x5.4	16 13
10	100	--	--	--	--	--	--	4x5.4	18	5x5.4 4x5.4	20 14	5x5.4 4x5.4	21 14	6.3x5.4	24
22	220	--	--	4x5.4	22	5x5.4 4x5.4	25 20	5x5.4 4x5.4	27 20	6.3x5.4 5x5.4	36 25	6.3x5.4	38	6.3x7.7 6.3x5.4 8 x 6.2	51 42 70
33	330	5x5.4 4x5.4	30 18	5x5.4 4x5.4	27 22	5x5.4 4x5.4	30 22	6.3x5.4 5x5.4	40 28	6.3x5.4 4x5.4	44 29	6.3x5.4 8 x 6.2	42 84	6.3x7.7	60
47	470	5x5.4 4x5.4	36 24	5x5.4 4x5.4	33 25	6.3x5.4 5x5.4	41 30	6.3x5.4 5x5.4	48 31	6.3x5.4 8 x 6.2	48 91	6.3x7.7 6.3x5.4	70 50	6.3x7.7	120
100	101	6.3x5.4 5x5.4	60 43	6.3x5.4 5x5.4	50 39	6.3x5.4 8 x 6.2	60	6.3x5.4 8 x 6.2	60 120	6.3x7.7	91	6.3x7.7	84	--	--
150	151	6.3x5.4	52	6.3x5.4	55	6.3x5.4	62	6.3x7.7	95	6.3x7.7	100	--	--	--	--
220	221	6.3x5.4	57	6.3x7.7 6.3x5.4	105 67	6.3x7.7 8 x 6.2	105 105	6.3x7.7 8 x 6.2	105 85	--	--	--	--	--	--
330	331	6.3x7.7	100	6.3x7.7	105	--	--	--	--	--	--	--	--	--	--
470	471	6.3x7.7	105	6.3x7.7	120	--	--	--	--	--	--	--	--	--	--

V/V		63		100	
Cap/μF		1J		2A	
0.1	0R1	4x5.4	0.7	--	--
0.22	R22	4x5.4	1.6	--	--
0.33	R33	4x5.4	2.5	--	--
0.47	R47	4x5.4	3.5	--	--
1	010	4x5.4	7	4x5.4	7
2.2	2R2	4x5.4	11	6.3x5.4	14
3.3	3R3	5x5.4	13	6.3x7.7 6.3x5.4 8 x 6.2	32 20 30
4.7	4R7	5x5.4	16	6.3x7.7 6.3x5.4	35 21
10	100	6.3x7.7 6.3x5.4 8 x 6.2	39 24 25	6.3x7.7	35
22	220	6.3x7.7	49	--	--

Please visit our website to get more update data, those data & specification are subject to change without notice.

 **Capacitors Company**

Web-site: www.jbcapacitors.com

E-mail: info@jbcapacitors.com

Tel : (852)2790 5091

Fax: (852)8169 8283