

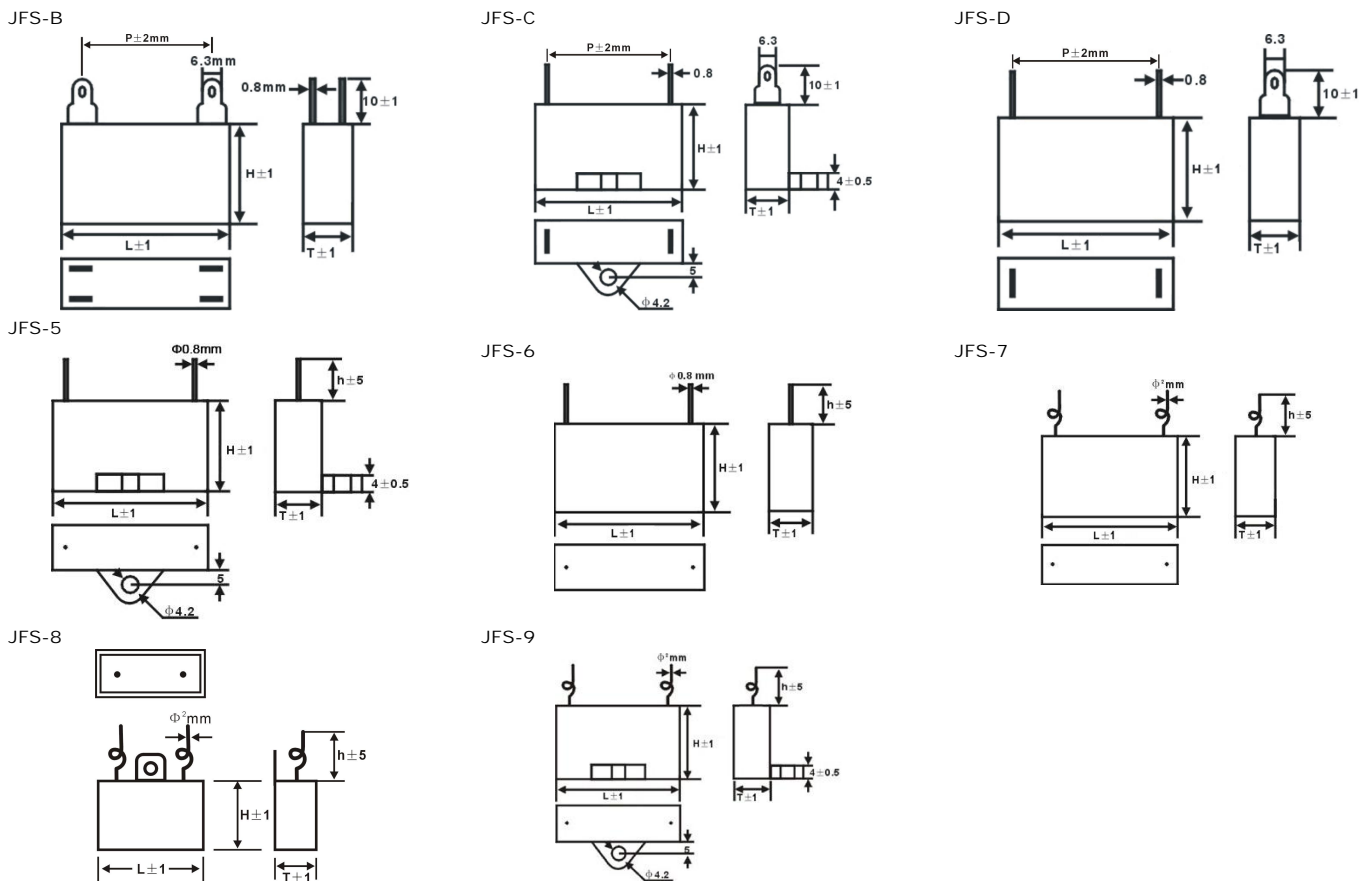
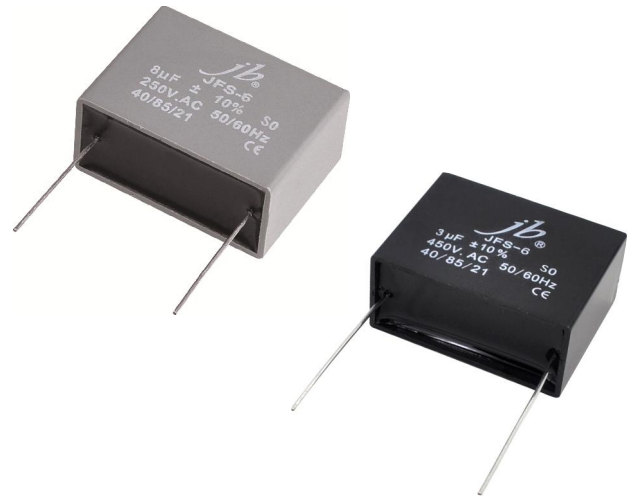
Motor Capacitor – JFS

FEATURES

- Electrical apparatus use metalized film with precisely quality control
- Low D.F. (dissipation factor), lower temperature rise.
- High I.R. (insulation resistance) small size
- High safety & high reliability
- Durability and characteristics of frequency, etc

SPECIFICATIONS

Operating Condition	-40°C ~ +85°C
Capacitance Range	1uF ~ 20uF(JFS-B~D, JFS-5~7, JFS-9)
Capacitance Tolerance	J(±5%)、K(±10%)
Rated Voltage	250V 450V (AC)
Withstand Voltage	AC≥2U _R 2S(I _{max} ≤1.3 InA)
Dissipation Factor	≤0.003 1KHz(JFS-A~D, JFS-5~7, JFS-9)
Insulation Resistance	≥3000S



Remark:

- For JFS-C, JFS-5, JFS-7, JFS-9 we will offer black color.
- For JFS-7, JFS-8, JFS-9 Two wires leads maybe will not in center position, different wire position does not make any change in capacitors installation and electrical performance.

Motor Capacitor – JFS

FEATURES

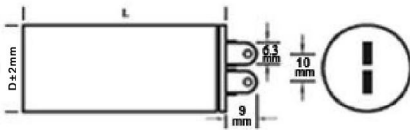
- jb CBB60 plastic case cylindrical JFS-10~21 capacitors with UL and cUL approvals.
- Low D.F. (dissipation factor), good self-healing character
- High I.R. (insulation resistance)
- High safety & High reliability
- Anti-Striking current, strong over-carrier capacity

SPECIFICATIONS

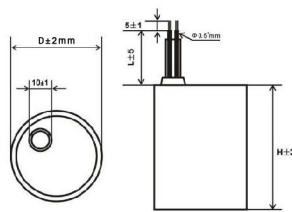
Operating Condition	-40°C ~ +85°C
Capacitance Range	1uF ~ 100uF(JFS-10~21)
Capacitance Tolerance	J(±5%)、K(±10%)
Rated Voltage	250V 450V (AC)
Withstand Voltage	AC≥2U _R 2S(I _{max} ≤1.3 I _N)
Dissipation Factor	≤0.004 1KHz(JFS-10~21)
Insulation Resistance	≥3000S



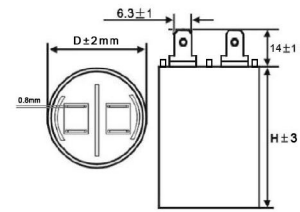
JFS-10



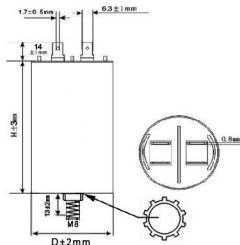
JFS-11



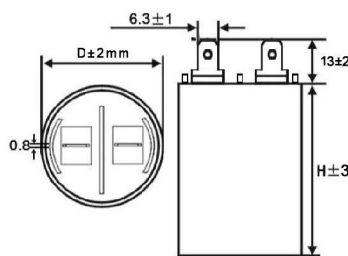
JFS-12



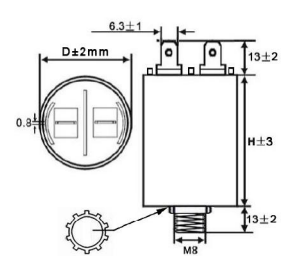
JFS-13



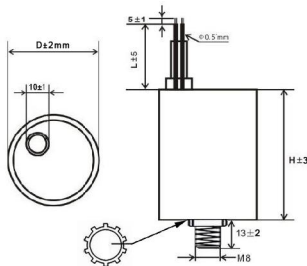
JFS-14



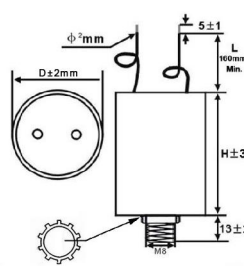
JFS-15



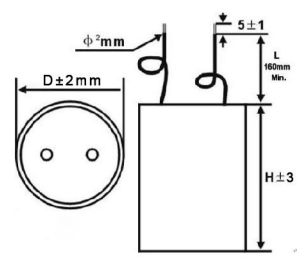
JFS-16



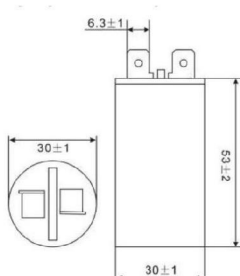
JFS-17



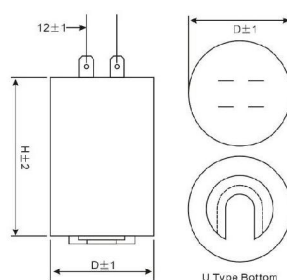
JFS-18



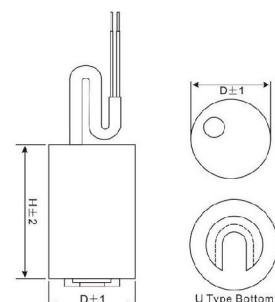
JFS-19(only for D:30mm)



JFS-20



JFS-21



Motor Capacitor – JFS

Dimensions For Motor Running Capacitors CBB61

(mm)

CAP	JFS-C,JFS-5,JFS-9						JFS-B,JFS-D,JFS-6,JFS-7					
	250VAC			450VAC			250VAC			450VAC		
uF	L	T	H	L	T	H	L	T	H	L	T	H
0.5	26.5	12.5	21	26.5	12.5	21	26.5	12	20	25.5	12	20
1	26.5	12.5	21	32	14	24	26.5	12	20	32	14	25
2	32	14	24	37	17	28	32	14	25	37	17	28
2.5	32	14	24	37	17	28	32	14	25	37	17	28
3	32	14	24	38	20	30	32	14	25	38	20	30
5	37	17	28	47	20	34	37	17	28	47	20	34
6	37	17	28	47	23	34	37	17	28	47	23	34
8	47	17.5	33	47	28	34	47	18	32	47	28	34
10	47	17.5	33	47	32	40	47	18	32	47	30	40
12	47	23	34	47	32	43	47	23	34	--	--	--
15	47	25	34	--	--	--	47	25	34	--	--	--
20	47	28	37	--	--	--	47	28	37	--	--	--

Dimensions For Motor Running Capacitors CBB60

(mm)

CAP	JFS-11				JFS-12				JFS-13				JFS-14			
	250VAC		450VAC		250VAC		450VAC		250VAC		450VAC		250VAC		450VAC	
uF	D	H	D	H	D	H	D	H	D	H	D	H	D	H	D	H
1	30	53	30	53	30	53	30	53	30	60	30	60	30	53	30	53
1.5	30	53	30	53	30	53	30	53	30	60	30	60	30	53	30	53
2	30	53	30	53	30	53	30	53	30	60	30	60	30	53	30	53
2.5	30	53	30	53	30	53	30	53	30	60	30	60	30	53	30	53
3	30	53	30	53	30	53	30	53	30	60	30	60	30	53	30	53
3.5	30	53	30	53	30	53	30	53	30	60	30	60	30	53	30	53
4	30	53	30	53	30	53	30	53	30	60	30	60	30	53	30	53
4.5	30	53	30	53	30	53	30	53	30	60	30	60	30	53	30	53
5	30	53	30	53	30	53	30	53	30	60	30	60	30	53	30	53
6	30	53	35	53	30	53	35	53	30	60	35	68	30	53	35	53
6.3	30	53	35	53	30	53	35	53	30	60	35	68	30	53	35	53
7	30	53	35	53	30	53	35	53	30	60	35	68	30	53	35	63
8	30	53	35	53	30	53	35	63	30	60	35	68	30	53	35	63
9	30	53	35	53	30	53	35	63	30	60	35	68	30	53	35	63
10	30	53	35	63	30	53	35	63	30	60	35	68	30	53	35	63
12	30	53	35	73	30	53	40	73	35	68	40	73	30	53	40	73
12.5	35	53	40	73	30	53	40	73	35	68	40	73	30	53	40	73
14	35	53	40	73	30	53	40	73	35	68	40	73	30	53	40	73
15	35	53	40	73	30	53	40	73	35	68	40	73	30	53	40	73
16	35	53	40	73	35	53	40	73	35	68	40	73	35	53	40	73
18	35	53	40	73	35	53	40	73	35	68	45	73	35	53	40	73
20	35	63	45	73	35	53	45	93	35	68	45	73	35	53	45	93
22	35	63	45	73	35	53	45	93	35	68	45	73	35	53	45	93
24	40	73	45	73	40	73	45	93	40	73	48	98	40	73	45	93
25	40	73	45	73	40	73	45	93	40	73	48	98	40	73	45	93
30	40	73	45	93	40	73	45	93	40	73	48	98	40	73	45	93
35	40	73	45	93	40	73	45	93	40	73	48	98	40	73	45	93
40	40	73	50	103	40	73	50	103	45	73	50	109	40	73	50	103
45	45	73	50	103	40	73	50	103	45	73	50	109	40	73	50	103
50	45	73	55	103	45	73	50	103	45	73	50	109	45	73	50	103
55	45	73	55	123	45	73	50	103	45	93	55	123	45	73	50	103
60	45	93	55	123	45	73	50	103	45	98	55	123	45	73	50	103
65	45	93	55	123	45	73	50	119	45	98	55	123	45	73	50	119
70	45	93	55	123	45	93	50	119	45	98	55	123	45	93	50	119
75	45	93	55	123	45	93	55	123	45	98	55	123	45	93	55	123
80	50	93	55	123	45	93	55	123	45	98	60	123	45	93	55	123
85	50	93	60	123	45	93	55	123	50	109	60	123	45	93	55	123
90	50	93	60	123	45	93	60	123	50	109	60	123	45	93	60	123
100	50	93	60	123	50	93	60	123	50	109	60	123	45	93	60	123

Part number code for Pitch from type (JFS-10 ~ JFS-26) : 000

JFS 13 A3 107 J 000 000 B (Example: JFS-13 100uF 250VAC +/-5%)

Please visit our website to get more update data, those data & specification are subject to change without notice.

Motor Capacitor – JFS

Dimensions For Motor Running Capacitors CBB60

(mm)

CAP	JFS-15				JFS-16				JFS-17				JFS-18			
	250VAC		450VAC		250VAC		450VAC		250VAC		450VAC		250VAC		450VAC	
uF	D	H	D	H	D	H	D	H	D	H	D	H	D	H	D	H
1	30	60	30	60	30	60	30	60	30	60	30	60	30	53	30	53
1.5	30	60	30	60	30	60	30	60	30	60	30	60	30	53	30	53
2	30	60	30	60	30	60	30	60	30	60	30	60	30	53	30	53
2.5	30	60	30	60	30	60	30	60	30	60	30	60	30	53	30	53
3	30	60	30	60	30	60	30	60	30	60	30	60	30	53	30	53
4	30	60	30	60	30	60	30	60	30	60	30	60	30	53	30	53
4.5	30	60	30	60	30	60	30	60	30	60	30	60	30	53	30	53
5	30	60	30	60	30	60	30	60	30	60	30	60	30	53	30	53
6	30	60	35	68	30	60	35	68	30	60	30	60	30	53	35	53
6.3	30	60	35	68	30	60	35	68	30	60	30	60	30	53	35	53
7	30	60	35	68	30	60	35	68	30	60	35	68	30	53	35	53
8	30	60	35	68	30	60	35	68	30	60	35	68	30	53	35	63
10	30	60	35	68	30	60	35	68	30	60	35	68	30	53	35	63
12	35	68	40	73	30	60	40	73	30	60	35	68	30	53	35	63
14	35	68	40	73	35	68	40	73	30	60	40	73	30	53	40	73
15	35	68	40	73	35	68	40	73	30	60	40	73	30	53	40	73
16	35	68	40	73	35	68	40	73	35	68	40	73	35	53	40	73
18	35	68	45	73	35	68	45	98	35	68	40	73	35	53	40	73
20	35	68	45	73	35	68	45	98	35	68	45	73	35	53	40	73
22	35	68	45	73	35	68	45	98	35	68	45	73	35	53	45	73
24	40	73	45	98	40	73	45	98	40	73	45	73	40	73	45	73
25	40	73	45	98	40	73	45	98	40	73	45	73	40	73	45	73
30	40	73	45	98	40	73	45	98	40	73	45	98	40	73	45	93
35	40	73	45	98	40	73	45	98	40	73	45	98	40	73	45	93
40	45	73	50	109	40	73	50	109	40	73	45	98	40	73	50	103
45	45	73	50	109	45	73	50	109	45	73	50	109	40	73	50	103
50	45	73	50	109	45	73	50	109	45	73	50	109	45	73	50	103
55	45	93	55	123	45	98	50	119	45	73	50	119	45	73	50	103
60	45	93	55	123	45	98	50	119	45	98	50	109	45	73	50	103
65	45	93	55	123	45	98	55	123	45	98	55	123	45	73	50	119
70	45	93	55	123	45	98	55	123	45	98	55	123	45	93	50	119
75	45	93	55	123	45	98	55	123	45	98	55	123	45	93	55	123
80	45	93	60	123	45	98	60	123	45	98	55	123	45	93	55	123
85	50	109	60	123	50	109	60	123	45	98	60	123	45	93	55	123
90	50	109	60	123	50	109	60	123	45	98	60	123	45	93	60	123
100	50	109	60	123	50	109	60	123	50	109	60	123	50	93	60	123

Part number code for Pitch from type (JFS-10 ~ JFS-26) : 000

JFS 13 A3 107 J 000 000 B (Example: JFS-13 100uF 250VAC +/-5%)

Please visit our website to get more update data, those data & specification are subject to change without notice.

Motor Capacitor – JFS

FEATURES

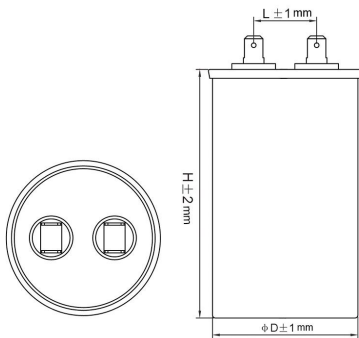
- Low D.F. (dissipation factor), good self-healing character
- High I.R. (insulation resistance)
- High safety & high reliability
- Anti-Striking current, strong over-carrier capacity

SPECIFICATIONS

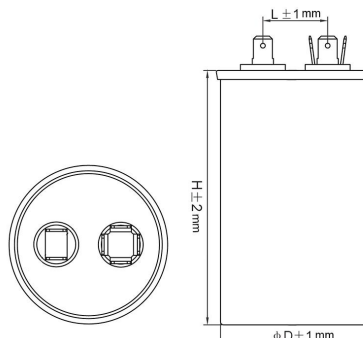
Operating Condition	-40°C ~ +85°C
Capacitance Range	2uF ~ 100uF (JFS-22 ~ 26)
Capacitance Tolerance	J(±5%)、K(±10%)
Rated Voltage	370V 450V (AC)
Dissipation Factor	≤0.004 100Hz (JFS-22 ~ 26)
Withstand Voltage Between Terminals :	2Un, 2s
Withstand Voltage Between Terminal And Case :	2.2KV, 2s



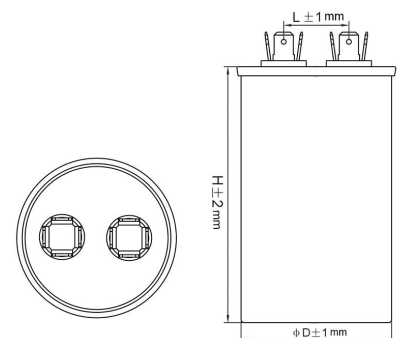
JFS-22



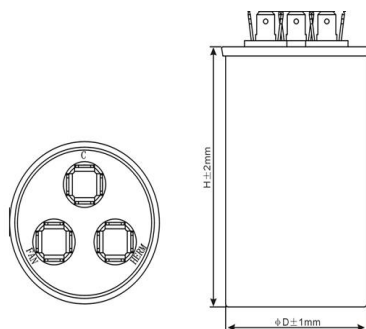
JFS-23



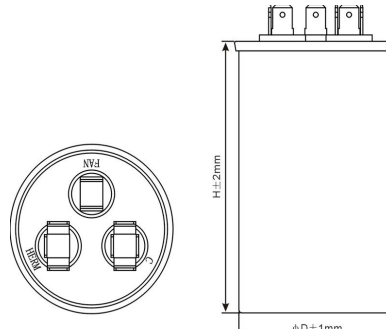
JFS-24



JFS-25



JFS-26



Motor Capacitor – JFS

Dimensions For Motor Running Capacitors CBB65

(mm)

CAP	JFS-22				JFS-23				JFS-24				CAP	JFS-25, 26	
	370VAC		450VAC		370VAC		450VAC		370VAC		450VAC			uF	D
uF	D	H	D	H	D	H	D	H	D	H	D	H	uF		D
2	40	55	40	55	40	55	40	55	40	55	40	55	20+1.5	50	85
3	40	55	40	55	40	55	40	55	40	55	40	55	20+5	50	85
4	40	55	40	55	40	55	40	55	40	55	40	55	25+1.5	50	95
5	40	55	40	55	40	55	40	55	40	55	40	55	25+3	50	95
6	40	55	40	55	40	55	40	55	40	55	40	55	25+5	50	95
7.5	40	55	40	55	40	55	40	55	40	55	40	55	30+2	50	95
8	40	55	40	55	40	55	40	55	40	55	40	55	30+5	50	95
10	40	55	40	65	40	55	40	65	40	55	40	65	30+7.5	50	100
12.5	40	65	40	65	40	65	40	65	40	65	40	65	35+2	50	100
14	40	65	40	75	40	65	40	75	40	65	40	75	35+5	50	110
15	40	65	40	75	40	65	40	75	40	65	40	75	40+5	50	120
16	40	75	40	75	40	75	40	75	40	75	40	75	40+7.5	50	125
17	40	75	40	75	40	75	40	75	40	75	40	75	45+5	50	120
18	40	75	40	75	40	75	40	75	40	75	40	75	45+7.5	50	125
20	45	75	45	75	45	75	45	75	45	75	45	75	50+5	50	130
25	45	75	50	75	45	75	50	75	45	75	50	75	50+7.5	55	125
30	50	75	50	75	50	75	50	75	50	75	50	75	55+5	55	120
35	50	85	50	85	50	85	50	85	50	85	50	85	55+6	55	120
40	50	85	50	100	50	85	50	100	50	85	50	100	55+7.5	55	125
45	50	100	50	100	50	100	50	100	50	100	50	100	60+5	60	120
50	50	100	50	110	50	100	50	110	50	100	50	110	60+6	60	120
55	50	110	50	125	50	110	50	125	50	110	50	125	60+7.5	60	125
60	50	125	50	125	50	125	50	125	50	125	50	125	65+5	60	120
65	50	125	55	125	50	125	55	125	50	125	55	125	70+5	60	120
70	50	125	55	125	50	125	55	125	50	125	55	125	80+5	60	130
80	55	125	60	125	55	125	60	125	55	125	60	125	-	-	-
100	60	125	60	140	60	125	60	140	60	125	60	140	-	-	-

Part number code for Pitch from type (JFS-10 ~ JFS-26) : 000

JFS 13 A3 107 J 000 000 B (Example: JFS-13 100uF 250VAC +/-5%)

Please visit our website to get more update data, those data & specification are subject to change without notice.