

Metallized Polypropylene Film Interference Suppression Capacitor – JFWT

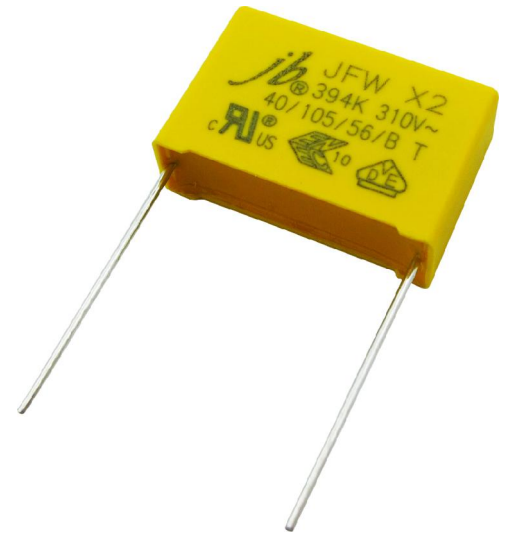
(85 °C / 85 % RH Class X2, Temperature Humidity Bias (THB) Series)

FEATURES

- Metallized polypropylene film, non-inductive wound construction.
- Good self-healing properties, withstanding surge voltage stressing
- High stability of capacitance under severe ambient condition, such as high temperature and high humidity.
- Excellent active and passive flame resistant abilities
- Provides interference suppression with VDE, ENEC and UL approvals.

SPECIFICATIONS

Operating Temperature	-40°C ~ +105°C
Voltage Rating	310VAC
Capacitance Range	0.0047 ~ 10.0μF
Capacitance Tolerance	±10% (K) standard,
Package	Bulk, Ammo Tape Package
Insulation Resistance	CR≤0.33 μF, I.R≥15,000MΩ CR>0.33 μF, I.R≥5,000S (20°C, 100V,1min)
Dissipation Factor	0.0047μF≤CR≤0.47μF ≤0.1% (1KHz,20°C) 0.47μF≤CR≤1.0μF ≤0.2% (1KHz,20°C) 1.0μF≤CR≤10μF≤0.3% (1KHz,20°C)
Voltage Proof	4.3Ur DC /5s



Temperature Humidity Bias (THB) HUMIDITY TEST

Test Conditions	Temperature: 85°C ± 2°C; Humidity: 85% ± 2% Loading Voltage: 240Vac (50Hz/60Hz) Duration: 1000 Hours
Capacitance Change	≤10% of initially measured value
Dissipation Factor	≤2.5% at 1KHz

APPLICATIONS

Across-the-line EMI filtering and connection in series with the mains for high stability grade applications in severe ambient conditions
For capacitive divider power supply. Such as power meter, LED driver, and other severe ambient condition applications.

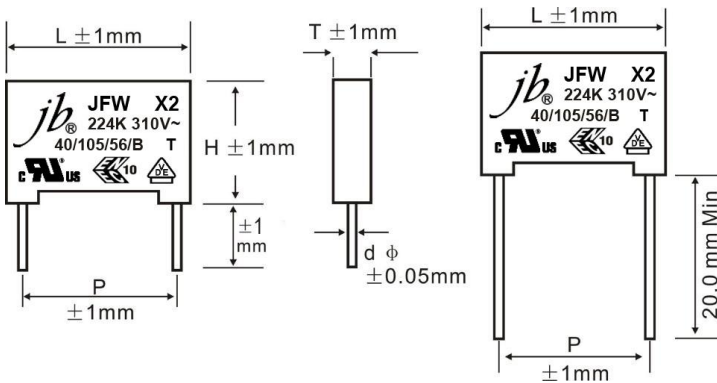
SAFETY APPROVALS:

	LOGO MARK	COUNTRY	APPROVAL STANDARD	APPROVAL NO.	CLASS	CAP. RANGE	RATED VOLTAGE
VDE		GERMANY	DIN EN 60384-14 (VDE 0565 Teil 1-1)	40046768	X2	0.0047 to 10.0μF	310/305/275VAC
ENEC		EUROPE	EN 60384-14; IEC 60384-14	40046768	X2	0.0047 to 10.0μF	310/305/275VAC
CUL, UL		CANADA/U.S.A	UL/IEC 60384-14	E344970	X2	0.0047 to 10.0μF	310/305/275VAC

Metallized Polypropylene Film Interference Suppression Capacitor – JFWT

(85 °C / 85 % RH Class X2, Temperature Humidity Bias (THB) Series)

DRAWING:



Dimensions Table for 310V AC:

(Unit: mm)

						Part# Bulk Package (Loose in Box)
CAP	L±1.0	T±1.0	H±1.0	P±1.0	d Ø±0.05	standard leads 20mm(+/-1)
0.1	18	6	12	15	0.8	JFWTA9104K150000B
0.22	18	6	12	15	0.8	JFWTA9224K150000B
0.22	18	7.5	13.5	15	0.8	JFWTA9224K150000B01
0.22	18	8.5	14.5	15	0.8	JFWTA9224K150000B02
0.33	18	7.5	13.5	15	0.8	JFWTA9334K150000B
0.33	18	8.5	14.5	15	0.8	JFWTA9334K150000B01
0.33	18	10	16	15	0.8	JFWTA9334K150000B02
0.33	26.5	6	15	22.5	0.8	JFWTA9334K225000B
0.33	26.5	7	16.5	22.5	0.8	JFWTA9104K150000B01
0.33	26.5	8.5	17	22.5	0.8	JFWTA9104K150000B02
0.39	18	8.5	14.5	15	0.8	JFWTA9394K150000B
0.39	18	10	16	15	0.8	JFWTA9394K150000B01
0.39	26.5	6	15	22.5	0.8	JFWTA9394K225000B
0.39	26.5	7	16.5	22.5	0.8	JFWTA9394K225000B01
0.39	26.5	8.5	17	22.5	0.8	JFWTA9394K225000B02
0.47	18	7.5	13.5	15	0.8	JFWTA9474K150000B01
0.47	18	8.5	14.5	15	0.8	JFWTA9474K150000B
0.47	18	10	16	15	0.8	JFWTA9474K150000B02
0.47	26.5	6	15	22.5	0.8	JFWTA9474K225000B
0.47	26.5	7	16.5	22.5	0.8	JFWTA9474K225000B01
0.47	26.5	8.5	17	22.5	0.8	JFWTA9474K225000B02
0.47	26.5	10	19	22.5	0.8	JFWTA9474K225000B03

*Please contact us for special item or size not listed.

Please visit our website to get more update data, those data & specification are subject to change without notice.