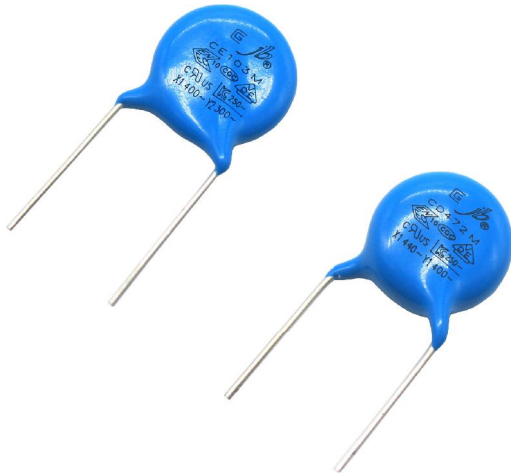


Safety Standard Recognized Capacitor - Y – JYA

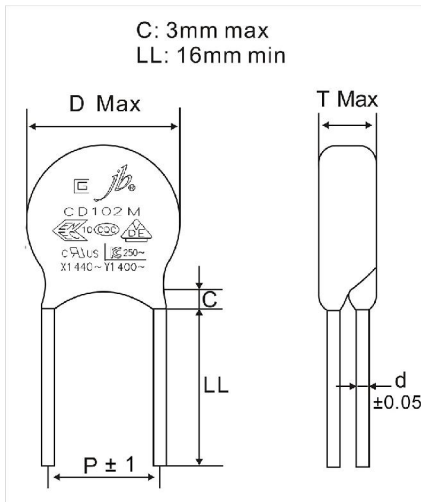


FEATURES

- Ideal for across the line applications
- Compact size
- Cost effective product
- Safety standards recognized

SPECIFICATIONS

Operating Temperature	-25°C TO +85°C
Capacitance Range	10pF TO 10000pF
Capacitance Tolerance	±10%, ±20%, +80-20%
Range Voltage	AC 125V, 250V, 300V, 400V
Temperature Coefficient	2B(Y5P)±10%、2E(Y5U)+22%~-56% 2F(Y5V)+22%~-82%
Dissipation Factor (tan δ)	2B: 2.5% max. at 25°C and 1 KHz, 1±0.2Vrms.
Insulation Resistance at 20°C	2E/2F: 2.5% max. at 25°C and 1 KHz, 1±0.2Vrms
Dielectric Strength	10000MΩat 500VDC for 1 minute. 1500 VAC for 60 seconds. (250VAC) 4000 VAC for 60 seconds. (400VAC)



CE Y2 300VAC						
Capacitance pF	Temp Char	Tol.	Dimension (mm)			
			D max	T max	d ±0.05	P ±1
100pF ~ 330pF	2B ±10% (Y5P)	±10%	6.5	4.5	0.6	7.5
470pF			6.5	4.5	0.6	7.5
680pF			8.0	4.5	0.6	7.5
1000pF			10.5	4.5	0.6	7.5
1000pF	2E +22~-56% (Y5U)	±20%	7.5	4.5	0.6	7.5
1500pF			8.5	4.5	0.6	7.5
2200pF			8.5	4.5	0.6	7.5
1000pF	2F +22~-82% (Y5V)	±20%	6.5	4.5	0.6	7.5
1500pF			7.5	4.5	0.6	7.5
2200pF			7.5	4.5	0.6	7.5
3300pF			8.5	4.5	0.6	7.5
4700pF			9.5	4.5	0.6	7.5
0.01uF			13.5	4.5	0.7	10

Please visit our website to get more update data, those data & specification are subject to change without notice.

Safety Standard Recognized Capacitor - Y – JYA

CD Y1 400VAC						
Capacitance pF	Temp Char	Tol.	Dimension (mm)			
			D max	T max	d ±0.05	P ±1
100pF	2B ±10% (Y5P)	±10%	6.5	5.5	0.6	10
150pF ~ 220pF			6.5	5.5	0.6	10
330pF			7.5	5.5	0.6	10
470pF			8.5	5.5	0.7	10
680pF			9.5	5.5	0.7	10
330pF ~ 470pF	2E +22~-56% (Y5U)	±10%	6.5	5.5	0.6	10
680pF		7.5	5.5	0.7	10	
1000pF		±20%	7.5	5.5	0.7	10
1500pF			9.5	5.5	0.7	10
2200pF			10.5	5.5	0.7	10
1000pF	2F +22~-82% (Y5V)	±20%	6.5	5.5	0.6	10
1500pF			7.5	5.5	0.6	10
2200pF			8.5	5.5	0.7	10
3300pF			10.5	5.5	0.7	10
4700pF			12.0	5.5	0.7	10

Please visit our website to get more update data, those data & specification are subject to change without notice.