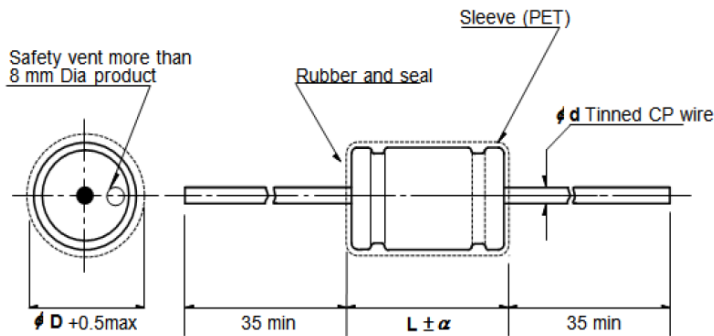


Non-Polarized (Bi-Polarized) Axial Aluminum Electrolytic Capacitor – JAL

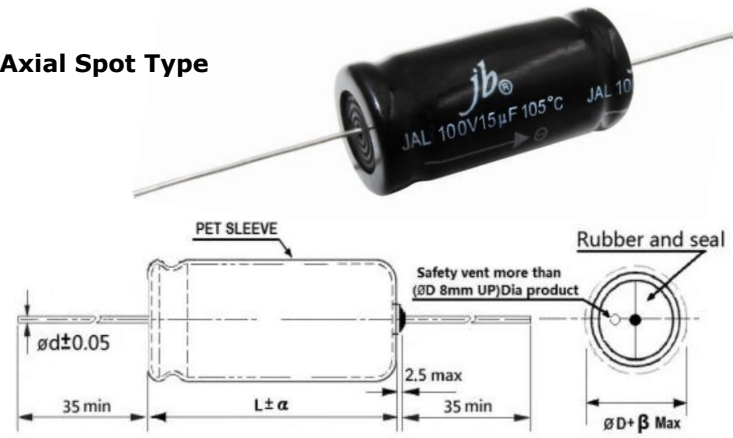
DIMENSIONS (mm)

Axial Type



ØD	6.3	8	10	13	16	18	22	25
Ød	0.6	0.6	0.6	0.8	0.8	0.8	0.8	0.8
α	0.8	0.8	1.5	2.0	2.0	2.0	2.0	2.0

Axial Spot Type



ØD	6.3	8	10	13	16	18	22	25
Ød	0.6	0.6	0.6	0.6	0.8	0.8	0.8	0.8
α	1.5	1.5	2.0	2.0	2.0	2.0	2.0	2.0
β	0.5	0.5	1.0	1.0	1.0	1.0	1.0	1.0

SPECIFICATIONS

Operating Temperature Range (°C)	-40°C ~ +105°C				
Capacitance Tolerance	±10% (K), ±20% (M) (at 1KHz)				
Voltage Range	50V, 100V.DC				
Leakage Current	<table border="1"> <tr> <td>Axial Type</td> <td>MAX. 0.03CV + 3uA (after 5 minutes application of rated working voltage)</td> </tr> <tr> <td>Axial Spot Type</td> <td>MAX. 0.04CV + 3uA (after 5 minutes application of rated working voltage)</td> </tr> </table>	Axial Type	MAX. 0.03CV + 3uA (after 5 minutes application of rated working voltage)	Axial Spot Type	MAX. 0.04CV + 3uA (after 5 minutes application of rated working voltage)
Axial Type	MAX. 0.03CV + 3uA (after 5 minutes application of rated working voltage)				
Axial Spot Type	MAX. 0.04CV + 3uA (after 5 minutes application of rated working voltage)				
Load Life Test	After 1,000 hours application of rated voltage at 105±2°C, capacitors meet the characteristics requirement listed as below: (a) Capacitance change: Within ±25% of initial (b) Tan δ : 200% or less of initial specified (c) Leakage current: Install specified value or less				
Max Dissipation Factor	MAX 15% at 1KHZ				

DIMENSIONS: Diameter (DØ) x Length (L) mm

Type	Axial Type		Axial Spot Type (please refer to our Part Number System)	
	50V ØDxL	100V ØDxL	50V ØDxL	100V ØDxL
1.0	6x16	6x16	6.3x13	6.3x13
1.5	6x16	6x16	6.3x13	6.3x13
2.2	6x16	8x17	6.3x13	8x13
3.3	6x16	8x17	6.3x13	8x13
4.7	6x16	8x17	6.3x13	8x13
5.6	6x16	8x17	6.3x13	8x13
6.8	8x17	8x19	8x13	10x17
8.2	8x17	8x19	8x13	10x17
10	8x17	8x19	8x13	10x17
15	8x19	10x19	8x13	10x21
22	10x19	10x19	10x17	10x21
33	10x24	10x24	10x21	13x22
47	10x24	13x27	10x21	13x22
68	13x27	13x27	13x22	13x27
75	13x27	13x27	13x22	13x27
82	13x27	13x31	13x22	16x28
100	13x27	13x31	13x22	16x28
120	13x27	16x34	13x22	16x28
150	13x31	16x34	13x27	16x33
220	13x31	16x34	13x27	18x40

Please visit our website to get more update data, those data & specification are subject to change without notice.