

JBR-3309 Trimming Potentiometers

FEATURES

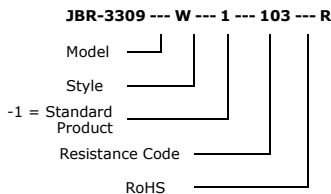
- Single Turn/ Cermet/ Industrial
- 2 Terminal Styles

Electrical Characteristics	
Standard Resistance Range	100Ω - 1MΩ
Resistance Tolerance	±30% std
Terminal Resistance	≤±1%R (R>2KΩ) ≤30Ω (100Ω≤R≤2KΩ)
Contact Resistance Variatio□	(CRV)≤±3%R)
Resolution	Essentially infinite
Adjustment Angle	235°± 15°

Environmental Characteristics	
Power Rating	70°C, 0.5W
Temperature Range	-30°C ~ +100°C
Temperature Coefficient	±250ppm/°C
Load Life (0.5W, 1000h, 70°C)	ΔR≤± (3%R+0.1Ω)
Rotational Life (200 cycles)	ΔR≤± (10%R+0.5Ω)

Physical Characteristics	
Mechanical Angle	260°±15°
Starting Torque	≤35mN.m
Stop Strength	>50mN.m
Standard packaging	200pcs. Per bag

How to Order



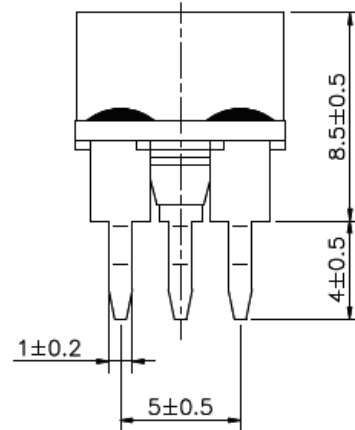
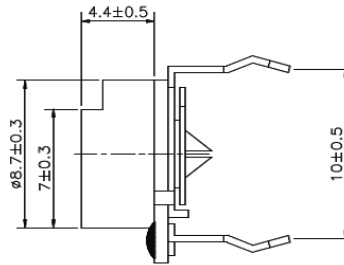
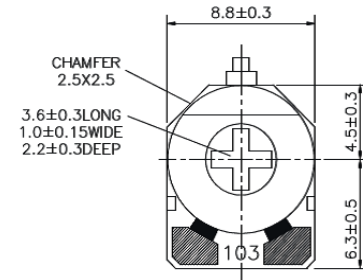
Resistance Table

Resistance (Ohms)	Resistance Code
100	101
200	201
500	501
1,000	102
2,000	202
5,000	502
10,000	103
20,000	203
25,000	253
50,000	503
100,000	104
200,000	204
250,000	254
500,000	504
1,000,000	105

Special resistances available

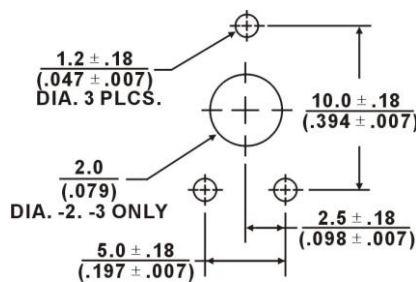
Please visit our website to get more update data, those data & specification are subject to change without notice.

JBR-3309P-2

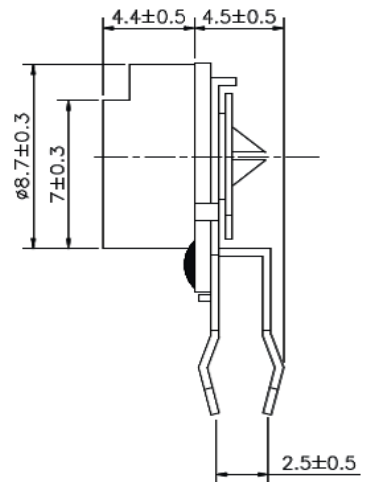
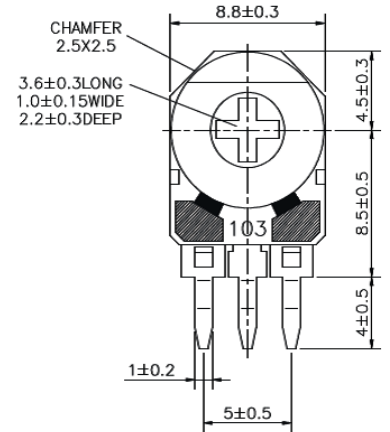


SUGGESTED PWB LAYOUT -

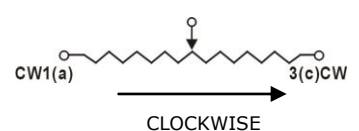
JBR-3309P



JBR-3309W-1 Single Side (Front) Adjust



WIPER 2(d)



Tolerance is ±0.25 if no identification