

JBR-3540 Trimming Potentiometers

FEATURES

- At room ambient: +25°C nominal and 50% relative Humidity nominal, except as noted.
- Consult manufacturer for complete specification details.
- Wire wound element.



Electrical Characteristics

Standard Resistance Range	100 to 100K ohms
Total Resistance Tolerance	±5%
Independent Linearity	±0.5%
Effective Electrical Angle	≥3600° - 10°
Terminal Resistance	≤0.2%R or 5Ω
Absolute Minimum Resistance/ Minimum Voltage	1 ohm or 0.2% max (Whichever is greater)
Noise/ Output Smoothness	≤3%R or 3Ω
Dielectric Withstanding Voltage (MIL-STD-202, Method 301) Sea Level	101.3Pa 710V, 8.5kPa 470V
Power Rating (Voltage Limited By Power Dissipation or 447VAC, whichever is Less) +70°C, +125°C	2 watts 0 watt
Insulation Resistance	R ₁ ≥1GΩ
Resolution	See recommended part#

Mechanical Characteristics

Stop Strength	53 N-cm (75 oz-in) minimum
Mechanical Angle	3600°± 10°
Torque (Starting & Running)	0.35 N-cm (0.5 oz-in) max
Mounting	170-200 N-cm (15-18 lb.-in.) max
Backlash	1.0° maximum
Weight	Approximately 21gm
Soldering Condition Manual Soldering	96.5Sn/ 3.0Ag/ 0.5Cu solid wire or no-clean rosin cored wire. 370°C (700°F) max. for 3 seconds
Wash Processes	Not recommended
Marking	Manufacturer's name and part number, resistance value and tolerance, linearity tolerance, wiring diagram and date code
Ganging (Multiple Section Pots)	2 cups maximum
Hardware	One lock washer (H-37-2) and one mounting nut (H-38-2) is shipped with each potentiometer

Environmental Characteristics

Rated Power	+70°C 2W, +125°C 0W
Operating Temperature Range	+1°C to +125°C
Storage Temperature Range	-55°C to +125°C
Temperature Coefficient Over Storage Temperature Range	±100ppm/°C
Temperature Variation	ΔR≤±2%R, Δ(Uab / Uac)≤±1%
Vibration	10—500HZ, 0.75mm or 98m/s ² , 6h, ΔR≤±1%R, Δ(Uab / Uac)≤±2%
Collision	390m / s ² , 4000 cycles, Δ R≤±1%R
Climate Category	ΔR≤±3%R, R ₁ ≥100MΩ
Electrical Endurance at 70°C	2W, 1000h, ΔR≤±3%R
Mechanical Endurance	10000 cycles, ΔR≤±3%R
Steady damp-heat	ΔR≤±3%R, R ₁ ≥100MΩ
Wiper Bounce	0.1 millisecond maximum
Shock	50G
Wiper Bounce	0.1 millisecond maximum
Load Life	1000 hours, 2 watts
Total Resistance Shift	±2%
Rotational Life (No Load)	10,000 cycles, speed 5~10 cycles/ min Starting Torque≤50mN.m
Total Resistance Shift	±5% maximum
Moisture Resistance (MIL-STD-202, Method 103, Condition B) Total Resistance Shift	±2% maximum
IP Rating	IP 40

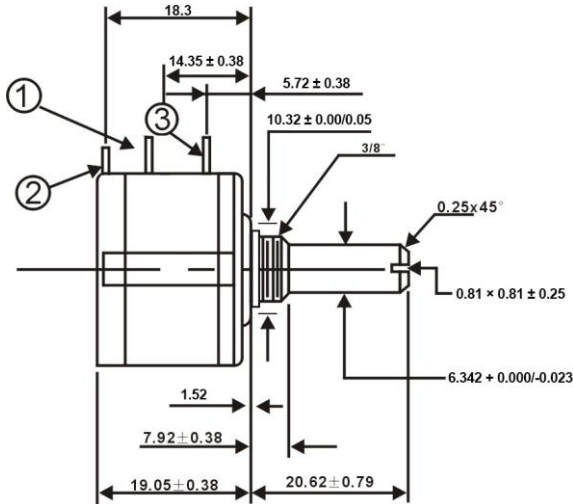
Physical Characteristics

Total Mechanical Travel	3600°±10°
Starting Torque	≤36mN · m
Clutch Torque	≥300mN · m

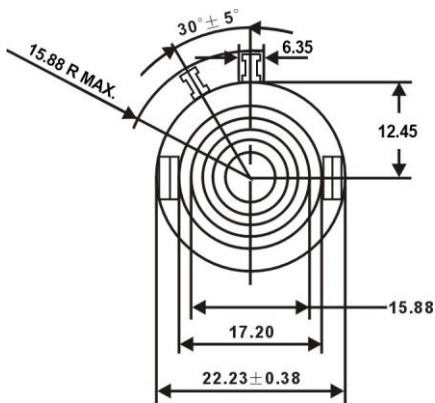
Please visit our website to get more update data, those data & specification are subject to change without notice.

JBR-3540 Trimming Potentiometers

Common Dimensions JBR-3540S-1



OPTIONAL ANTIROTATION LUG
(-91) 1.42x0.50 ON 7.4 RADIUS.
LENGTH 1.27 FROM MOUNTING SURFACE.
(SUGGESTED PANEL HOLE 1.6 DIA.)



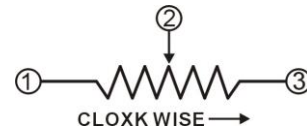
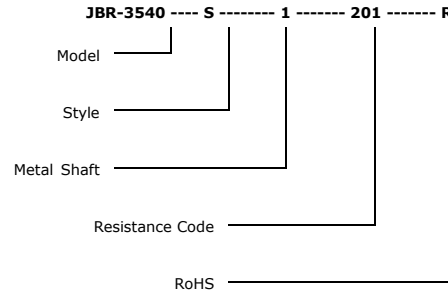
TOLERANCE: EXCEPT WHERE NOTED

DECIMALS: $XX \pm \frac{0.25}{(0.010)}$ $XXX \pm \frac{0.13}{(0.005)}$

FRACTIONS: $\pm 1/64$

DIMENSIONS: $\frac{MM}{(IN.)}$

How to Order



BOLDFACE LISTINGS ARE IN STOCK AND READILY AVAILABLE THROUGH DISTRIBUTION

FOR SERVO MOUNT VERSION AND OTHER OPTIONS CONSULT FACTORY.

FOR OTHER OPTIONS CONSULT FACTORY. ROHS IDENTIFIER:
L = COMPLIANT BLANK = NON-COMPLIANT

Resistance Table

JBR-3540S-1

Resistance (Ohms)	Resistance Code	Resolution (%)
200	201	0.042
500	501	0.031
1,000	102	0.027
2,000	202	0.021
5,000	502	0.021
10,000	103	0.019
20,000	203	0.014
50,000	503	0.011
100,000	104	0.008

Please visit our website to get more update data, those data & specification are subject to change without notice.