

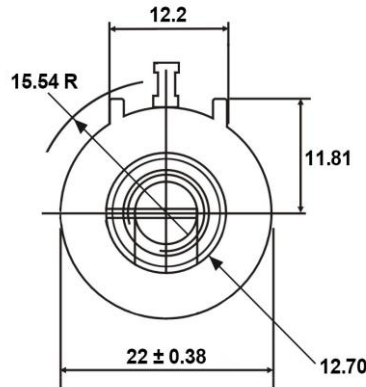
# JBR-3590 Trimming Potentiometers

## FEATURES

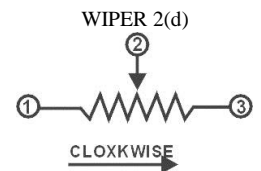
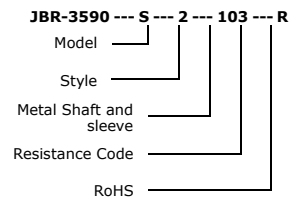
- Multiturn/ Round/ Wire Wound.
- 2 Shaft Styles.

Environmental Characteristics	
Standard Resistance Range	100Ω - 100KΩ
Resistance Tolerance	±5%
Independent Linearity	±0.5%
Effective Electrical Travel	≥3600° - 10°
Terminal Resistance	≤0.2%R or 5Ω
Noise	≤3% R or 3Ω
Insulation Resistance	R ≥ 1GΩ
Withstand Voltage	101.3kPa 710V, 8.5kPa 470V

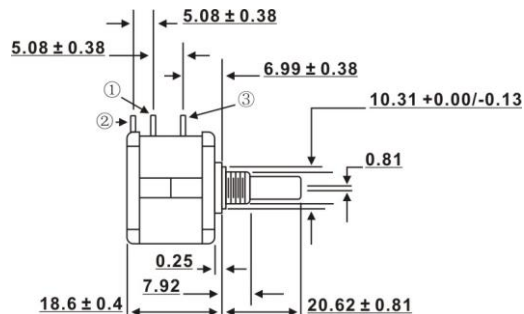
## Common Dimensions



## How to Order



Tolerance is ±0.25 if no identification



Electrical Characteristics	
Power Rating	2W@+70°C, 0W@+125°C
Temperature Range	-55°C ~ +125°C
Temperature Coefficient	±100ppm / °C
Temperature Variation	ΔR ≤ ±2%R. Δ(Uab/Uac) ≤ ±1%
Collision	390m/s <sup>2</sup> , 4000cycles, R ≤ 1%R
Vibration	10-500Hz, 0.75mm, or 98m/s <sup>2</sup> , 6h ΔR ≤ ±1%R. Δ(Uab/Uac) ≤ ±2%
Climate Category	ΔR ≤ ±3%R. R <sub>i</sub> ≥ 100MΩ
Electrical Endurance at 70°C	2W, 1000h, ΔR ≤ ±3%R
Mechanical Endurance	10000 cycles, ΔR ≤ ±3%R
Steady damp-heat	ΔR ≤ ±3%R, R <sub>i</sub> ≥ 100MΩ

Physical Characteristics	
Total Mechanical Travel	3600° ± 10°
Staring Torque	≤ 36mN. m
Clutch Torque	≥ 300mN. m
Standard Packaging	25pcs/box

## Resistance Table

Resistance (Ohms)	Resistance Code
1,000	102
2,000	202
5,000	502
10,000	103
20,000	203
50,000	503
100,000	104

Please visit our website to get more update data, those data & specification are subject to change without notice.