

SMD Aluminum Electrolytic Capacitor – JCC

FEATURES

- > Low leakage current (0.5~3.3μA Max.)
- > 105°C 2,000hours Solvent proof (within 2 minutes)



SPECIFICATIONS

Operating Temperature: -40°C ~ +105°C
 Voltage Range: 6.3V ~ 50V.DC
 Capacitance Tolerance: ±20% at 120Hz, 20°C
 Leakage Current: The greater value of either 0.002CV or 0.5μA (μA/after 2minutes (max))
 Dissipation Factor (Tan δ): Measurement Frequency: 120Hz, Temperature: 20°C

Rated Voltage (V)	6.3	10	16	25	35	50
Surge Voltage (V)	8.0	13	20	32	44	63
Tan δ (Max.)	0.24	0.20	0.18	0.16	0.14	0.12

Impedance ratio at Low temperature

Based on the value at 120Hz, +20°C

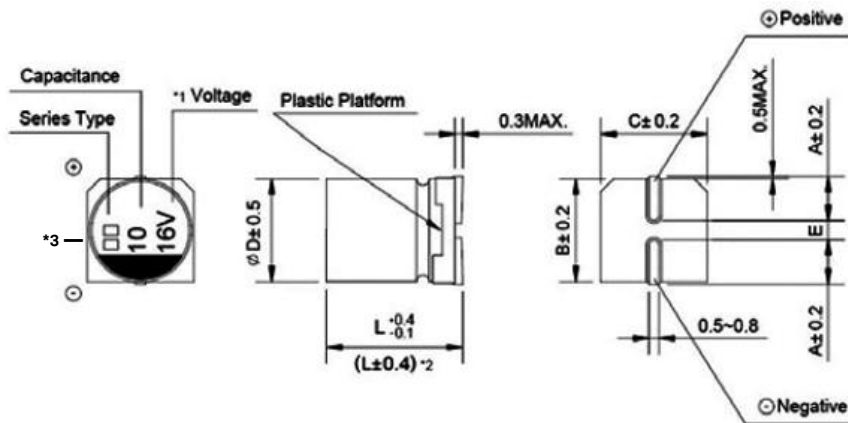
Rated Voltage (V)		6.3	10	16	25, 35, 50
Impedance Ratio	Z (-25°C) / Z(20°C)	4	3	2	2
ZT / Z20 (Max.)	Z (-40°C) / Z(20°C)	10	7	5	3

Endurance

105°C, 2,000hours rated voltage applied (With the rated ripple current)

Capacitance Change	Within ± 20% of initial value
Dissipation Factor	Less than 200% of the specified value
Leakage Current	Less than the specified value

DRAWING (Unit: mm)



*1 Voltage mark for 6.3V is [6V] or [6.3V]

2 Applicable to Φ6.3

*3 Surface Marking Types: jbC, jC, SC

ΦDxL	4x5.4	5x5.4	6.3x5.4	6.3x7.7
A	2.0	2.2	2.6	2.6
B	4.3	5.3	6.6	6.6
C	4.3	5.3	6.6	6.6
E±0.2	1.0	1.3	2.2	2.2
L	5.4	5.4	5.4	7.7

Please visit our website to get more update data, those data & specification are subject to change without notice.

SMD Aluminum Electrolytic Capacitor – JCC

FREQUENCY COEFFICIENT OF ALLOWABLE RIPPLE CURRENT

Frequency:F(Hz)	50Hz	120Hz	300Hz	1KHz	10kHz≤F
Capacitance:C(μF) All ITEM	0.70	1.00	1.17	1.30	1.50

DIMENSIONS & MAXIMUM PERMISSIBLE RIPPLE CURRENT&ESR

WV		6.3(0J)			10(1A)			16(1C)		
		Case Size ØDxL (mm)	Impedance (Ω) max at 120Hz, 20℃	Rated ripple current mArms(120 Hz, 105℃)	Case Size ØDxL (mm)	Impedance (Ω) max at 120Hz, 20℃	Rated ripple current mArms(120 Hz, 105℃)	Case Size ØDxL (mm)	Impedance (Ω) max at 120Hz, 20℃	Rated ripple current mArms(120 Hz, 105℃)
10	100						4x5.4	34.5	25	
22	220	4x5.4	23.5	31	5x5.4	19.6	35	5x5.4	15.7	39
33	330	5x5.4	15.7	39	5x5.4	13.1	43	6.3x5.4	10.5	57
47	470	5x5.4	11.0	47	6.3x5.4	9.2	59	6.3x5.4	7.3	68
100	101	6.3x5.4	5.2	75	6.3x5.4	4.3	76	6.3x7.7	3.5	96
220	221	6.3x7.7	2.4	85						

DIMENSIONS & MAXIMUM PERMISSIBLE RIPPLE CURRENT&ESR

WV		25(1E)			35(1V)			50(1H)		
		Case Size ØDxL (mm)	Impedance (Ω) max at 120Hz, 20℃	Rated ripple current mArms(120 Hz, 105℃)	Case Size ØDxL (mm)	Impedance (Ω) max at 120Hz, 20℃	Rated ripple current mArms(120 Hz, 105℃)	Case Size ØDxL (mm)	Impedance (Ω) max at 120Hz, 20℃	Rated ripple current mArms(120 Hz, 105℃)
1.0	010						4x5.4	216	10	
2.2	2R2						4x5.4	98	15	
3.3	3R3						4x5.4	65	18	
4.7	4R7	4x5.4	64.2	19	4x5.4	55.1	20	5x5.4	46	23
10	100	5x5.4	30.2	28	5x5.4	25.9	30	6.3x5.4	22	34
22	220	6.3x5.4	13.7	52	6.3x5.4	11.8	54	6.3x7.7	9.8	85
33	330	6.3x5.4	9.1	63	6.3x7.7	7.8	105			
47	470	6.3x7.7	6.4	100	6.3x7.7	5.5	110			

Please visit our website to get more update data, those data & specification are subject to change without notice.