

# Axial Wet Tantalum Capacitor – JTF

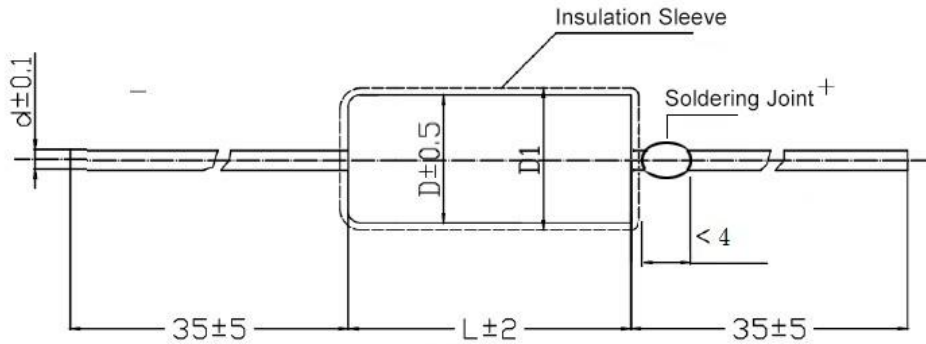
## FEATURES

- Silver case encapsulation, Hermetically-sealed, Tubular, Axial-lead, With insulation sleeve, Heteropolarity.
- Stable in Electrical Characteristics, High reliability, Low DF & DCL.
- Applying in Telecommunications, such Electrical Equipments with DC & impulse Circuit.



## SPECIFICATIONS

Technical Data	All technical data relate to an ambient temperature of +25°C
Capacitance Tolerance	±20%, ±10%
Temperature Range	-55°C to +125°C
DC Leakage	$I_o \leq 0.008C_R U_R$ (µA) or 1µA (which is greater)



DIMENSIONS				
Case Code	Uninsulated		With Insulated Sleeve	
	D±0.5 (mm)	L±2 (mm)	D1 max (mm)	L max (mm)
A	5	10	5.8	12
B	5	14	5.8	16
C	6	16	6.8	18
D	8	16	8.8	24
E	8	22	8.8	18
F	10	22	10.8	24
G	10	25	10.8	27

Please visit our website to get more update data, those data & specification are subject to change without notice.

# Axial Wet Tantalum Capacitor – JTF

## STANDARD RATINGS

Rated Voltage	Category Voltage	Case Code	Cap @100Hz	Max. DF @+25°C ~ +125°C 100Hz	Max. ESR @-55°C 100Hz	Rated Voltage	Category Voltage	Case Code	Cap @100Hz	Max. DF @+25°C ~ +125°C 100Hz	Max. ESR @-55°C 100Hz
V	V		μF	%	μΩ	V	V		μF	%	μΩ
6.3	4	A	22	6	130	40	25	A	4.7	4.5	450
		A	33	8	100			A	6.8	4.5	350
		A	47	12	80			A	10	4.5	260
		A	68	15	60			A	15	7	175
		B	100	15	55			B	22	7	130
		B	150	20	50			B	33	8	90
		C	220	25	45			C	47	8	65
		C	330	30	40			C	68	10	55
		D	470	40	35			D	100	12	40
		D	680	45	30			E	150	15	35
		E	1000	50	25			F	220	20	30
		F	1200	55	25			G	330	25	25
		G	1500	70	20			A	2.2	4	1100
10	6.3	A	15	6	180	63	40	A	3.3	4.5	700
		A	22	6	130			A	4.7	5	500
		A	33	10	110			A	6.8	5	350
		A	47	12	90			B	10	8	260
		B	68	12	75			B	15	8	150
		B	100	12	50			C	22	8	120
		C	150	18	45			C	33	10	85
		C	220	25	40			D	47	10	70
		D	330	30	35			D	68	10	55
		D	470	35	30			E	100	12	50
		E	680	40	25			F	150	15	40
		F	1000	50	20			G	220	20	35
		16	10	A	10			5.7	200	100	63
A	15			5.7	155	A	1.5	5	1400		
A	22			6	130	A	2.2	5	1100		
A	33			8	90	A	3.3	6	700		
B	47			10	80	A	4.7	6	500		
B	68			16	75	B	6.8	8	350		
C	100			18	60	B	10	10	260		
C	150			18	50	C	15	10	160		
D	220			18	45	C	22	10	110		
D	330			30	40	D	33	12	110		
E	470			35	35	E	47	12	65		
F	680			45	30	F	68	12	50		
25	16			A	6.8	4.6	300	125	75		
		A	10	4.6	220	A	1			6	1800
		A	15	6.5	175	A	1.5			6	1400
		A	22	8.3	130	A	2.2			6	1100
		B	33	9	100	A	3.3			6	700
		B	47	9	70	B	4.7			6	500
		C	68	9	60	B	6.8			8	350
		C	100	12	50	C	10			9	260
		D	150	14	45	C	15			9	160
		D	220	15	45	D	22			9	130
		E	330	20	35	E	33			10	100
		F	470	30	30	F	47			10	70
		G	680	45	25	G	68			10	50

Note:

1. Please do not use multimeter through the measuring procedures.
2. Capacitance and DF measured at 100Hz,  $U_{-}=2.20^{0}_{-1.0}V$ ,  $U_{+}=1.0^{0}_{-0.5}V$ , Frequency=100Hz. Test only applied in series equivalent circuit.
3. Voltage derating is applied at +85°C. (The DCL parameter should be read after 5 minutes when it connected to the circuit).
4. Special size and demand could consult with us.

Please visit our website to get more update data, those data & specification are subject to change without notice.