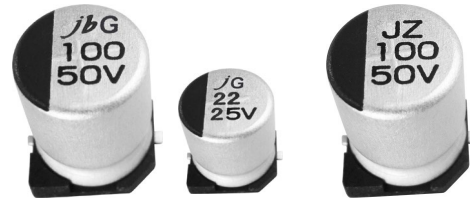


SMD Aluminum Electrolytic Capacitors-JCG

FEATURES

- $\phi 5 \sim \phi 10$, 105°C, 7000 hours assured
- Low impedance capacitors, Long life assured
- Designed for reflow soldering
- Designed for surface mounting on high-density PCB



SPECIFICATIONS

Category temp. range -25°C ~ +105°C
 Capacitance tolerance $\pm 20\%$ (120Hz/+20°C)
 Leakage current $I \leq 0.01 CV$ or $3\mu A$ whichever is greater (after 2 minutes)
 Tan δ Please see the attached characteristics list

Characteristics at low temperature	Rated Voltage (V)	6.3	10	16	25	35	50	Impedance ratio at 120 Hz
Z (-25°C) / Z (+20°C)		4	3	2	2	2	2	

After applying rated working voltage for 7000 hours at +105°C $\pm 2^\circ C$, and then being stabilized at +20°C, capacitors shall meet the following limits.

Endurance	Capacitance change	Within $\pm 30\%$ of the initial value			
	Dissipation factor (tan δ)	Less than 300% of the initial value			
	Leakage current	Within the initial limit			

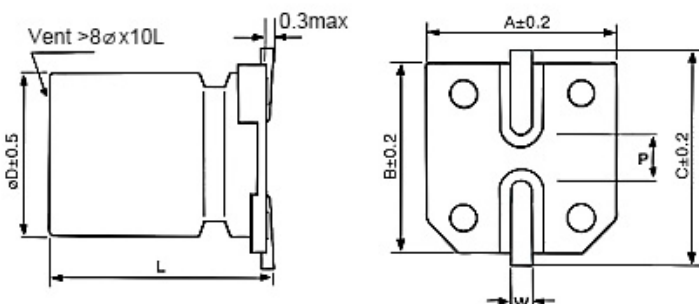
Shelf life After storage for 1000 h at +105°C $\pm 2^\circ C$ with no voltage applied and then being stabilized at +20°C, capacitors shall meet the limits specified in endurance.

After reflow soldering and then being stabilized at +20°C, capacitors shall meet the following limits.

Resistance to soldering heat	Capacitance change	Within $\pm 10\%$ of the initial value			
	Dissipation factor (tan δ)	Within the initial limit			
	Leakage current	Within the initial limit			
Frequency correction factor for ripple current	Frequency	50Hz	120Hz	1kHz	10kHz \leq
	Correction Factor	0.35	0.5	0.8	1.0

DRAWING (Unit: mm)

Surface Marking Types: jBG, jG, JZ



Dimensions						Unit: mm
ϕD	L	A	B	C	W	P ± 0.2
5	7 ± 0.3	5.3	5.3	6.1	0.5~0.8	1.3
6.3	7 ± 0.3	6.6	6.6	7.3	0.5~0.8	2.2
6.3	8.7 ± 0.3	6.6	6.6	7.3	0.5~0.8	2.2
8	10.5 ± 0.5	8.3	8.3	9.2	0.7~1.2	3.2
10	10.5 ± 0.5	10.3	10.3	11.2	0.7~1.2	4.4

Please visit our website to get more update data, those data & specification are subject to change without notice.

SMD Aluminum Electrolytic Capacitors-JCG

Rated Voltage (V)	Capacitance (±20%) (μF)	Case size		Specification		
		øD (mm)	L (mm)	Rated ripple current ^① (mA rms)	Imp. ^② (Ω)	tan δ ^③
6.3	47	5	7	95	2.2	0.32
	100	6.3	7	140	1.1	0.32
	220	6.3	8.7	230	1.0	0.32
	330	6.3	8.7	230	1.0	0.32
	470	8	10.5	600	0.22	0.32
10	33	5	7	95	2.2	0.28
	150	6.3	7	140	1.1	0.28
16	22	5	7	95	2.2	0.26
	47	6.3	7	140	1.1	0.26
	100	6.3	7	140	1.1	0.26
	150	6.3	8.7	230	1.0	0.26
	220	6.3	8.7	230	1.0	0.26
	330	8	10.5	600	0.22	0.26
	470	8	10.5	600	0.22	0.26
25	22	5	7	95	2.2	0.16
	33	6.3	7	140	1.1	0.16
	47	6.3	7	140	1.1	0.16
	100	6.3	8.7	230	1.0	0.16
	220	8	10.5	600	0.22	0.16
	330	8	10.5	600	0.22	0.16
	470	10	10.5	850	0.16	0.16
35	10	5	7	95	2.2	0.14
	22	5	7	95	2.2	0.14
	33	6.3	8.7	230	1.0	0.14
	47	6.3	8.7	230	1.0	0.14
	220	8	10.5	600	0.22	0.14
	330	10	10.5	850	0.16	0.14
50	47	8	10.5	350	0.53	0.14
	100	8	10.5	350	0.53	0.14
	220	10	10.5	670	0.35	0.14

1. Rated ripple current (100kHz / +105°C)

2. Impedance (100kHz / +20°C)

3. tan δ (120Hz / +20°C)

Please visit our website to get more update data, those data & specification are subject to change without notice.