

Non-Polarized (Bi-Polarized) Axial Aluminum Electrolytic Capacitor – JAC

FEATURES

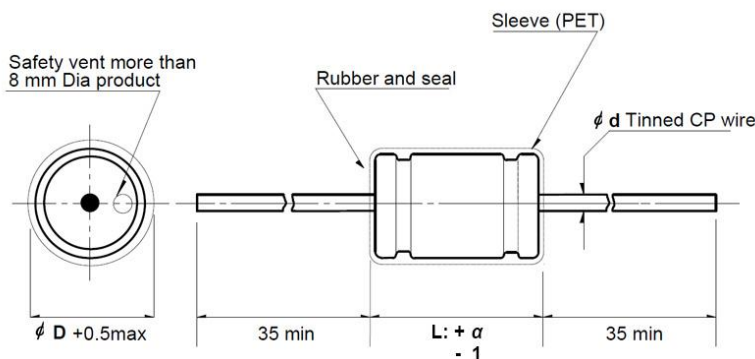
- Low Dissipation Factor
- Specially produced for Cross-Over Networks with high fidelity audio system
- High-quality crossover non-polar aluminum electrolytic capacitors
- Product mainly used: audio converters and dividers (partials), Audio amp, automotive electronics products, speaker.

SPECIFICATIONS

Operating Temperature Range (°C)	-40°C ~ +105°C
Capacitance Tolerance	±10% (K) at 1KHZ
Voltage Range	50V, 100V.DC
Leakage Current	MAX. 0.03CV + 3 μA After 5 minutes application of rated working voltage
Load Life	After 1,000 hours application of rated voltage at 105 ±2°C, capacitors meet the characteristics requirement listed at right.
	(a) Capacitance change: Within ±25% of initial
	(b) Tan δ :200% or less of initial specified
	(c) Leakage current : Install specified value or less
MAX Dissipation Factor	MAX 4% at 1KHz



DIMENSIONS (mm)



Lead Diameter:

φ D	8	10	13	16	18	22
φ d	0.6	0.6	0.6	0.8	0.8	0.8
α	0.8	1.5	2.0	2.0	2.0	2.0

Note 1: Other Dissipation Factor 3%, 5%, 6%, 7%, 8%, 9%, 10%, 12% are available on request.

Note 2: The sleeve (PET) color of the product differs from batch to batch, so there will be slight color difference. Thank you.

DIMENSIONS: Diameter (DØ) x Length (L) m/m

V.DC	50 V	100 V	V.DC	50 V	100 V
µf	D x L	D x L	µf	D x L	D x L
1	13x27	13x27	15	13x32	13x32
1.5	13x27	13x27	22	13x32	13x32
2.2	13x27	13x27	33	13x32	16x34
3.3	13x27	13x32	47	16x34	16x34
4.7	13x32	13x32	56	16x34	16x34
6.8	13x32	13x32	68	16x38	16x38
8.2	13x32	13x32	100	18x44	18x44
10	13x32	13x32	120	18x44	22x44

Please visit our website to get more update data, those data & specification are subject to change without notice.