

Non-Polarized (Bi-Polarized) Axial Aluminum Electrolytic Capacitor – JAE

FEATURES

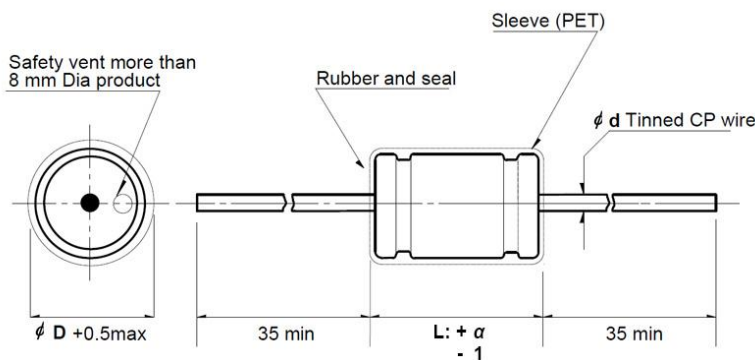
- Low Dissipation Factor
- Specially produced for Cross-Over Networks with high fidelity audio system
- High-quality crossover non-polar aluminum electrolytic capacitors
- Product mainly used: audio converters and dividers (partials), Audio amp, automotive electronics products, speaker.

SPECIFICATIONS

Operating Temperature Range (°C)	-40°C ~ +105°C
Capacitance Tolerance	±10% (K) at 1KHZ
Voltage Range	50V, 100V
Leakage Current	MAX. 0.03CV + 3 μA After 5 minutes application of rated working voltage
Load Life	After 1,000 hours application of rated voltage at 105 ±2°C, capacitors meet the characteristics requirement listed at right.
	(a) Capacitance change: Within ±25% of initial
	(b) Tan δ :200% or less of initial specified
	(c) Leakage current : Install specified value or less
MAX Dissipation Factor	MAX 10% at 1KHz



DIMENSIONS (mm)



Lead Diameter:

§ D	6	8	10	13	16	18	22	25
§ d	0.6	0.6	0.6	0.6	0.8	0.8	0.8	0.8
α	0.8	0.8	1.5	2.0	2.0	2.0	2.0	2.0

Note 1: Other Dissipation Factor 3%, 4%, 5%, 6%, 7%, 8%, 9%, 12% are available on request.

Note 2: The sleeve (PET) color of the product differs from batch to batch, so there will be slight color difference. Thank you.

DIMENSIONS: Diameter (DØ) x Length (L) m/m

V.DC	50 V	100 V	V.DC	50 V	100 V	V.DC	50 V	100 V
μf	D x L	D x L	μf	D x L	D x L	μf	D x L	D x L
1	8x17	8x17	12	--	10x19	100	13x32	16x34
1.5	8x17	8x17	15	10x19	10x19	120	--	16x34
2.2	8x17	8x19	18	--	10x19	150	13x32	16x34
2.7	--	8x19	22	10x24	10x24	220	16x38	18x44
3.3	8x17	10x19	27	--	13x27	250	16x38	18x44
3.9	--	10x19	33	13x27	13x27	270	--	18x44
4.7	8x17	10x19	39	--	13x27	300	16x38	18x44
5.6	--	10x19	47	13x27	13x27	330	--	22x44
6.8	8x19	10x19	56	--	13x32	350	16x38	22x44
8.2	--	10x19	68	13x32	13x32	470	18x44	25x52
10	8x19	10x19	82	--	16x34	--	--	--

Please visit our website to get more update data, those data & specification are subject to change without notice.