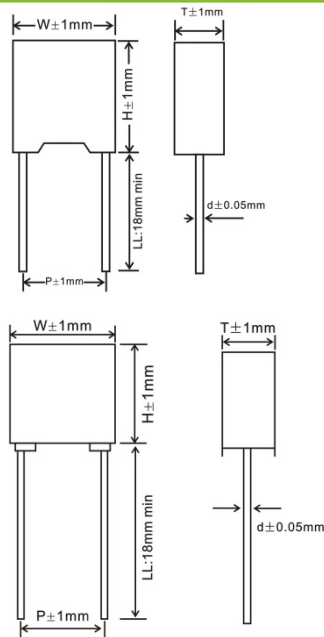
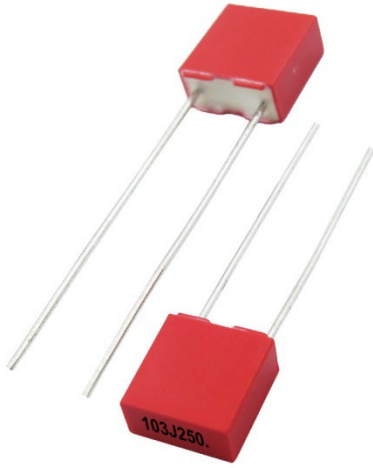


Mini Box Type Met Polypropylene Film Capacitor – JFMM



FEATURES

- High reliability at high current stress.
- Self-healing properties.
- Flame retardant plastic case and epoxy resin.
- Low losses, high dv / dt capability.
- High moisture resistance.
- High stability of capacitance and long life.

SPECIFICATIONS

Operating Temperature	-40°C ~ +85°C
Rated Voltage	100V, 250V, 400V, 630V, 1000VDC
Capacitance Range	0.001 ~ 1 μF
Capacitance Tolerance	±5%
Insulation Resistance	C ≤ 0.33 μF ; IR ≥ 50000 MOhm C > 0.33 μF ; IR ≥ 15000 MOhm
Dissipation Factor	0.1% max. at 1KHz, 20°C
Dielectric Strength	160% of rated voltage for 5 sec.

STANDARD SIZE (mm)

μF	100VDC					250VDC				
	W ±1.0	H ±1.0	T ±1.0	P ±1.0	d ±0.05	W ±1.0	H ±1.0	T ±1.0	P ±1.0	d ±0.05
0.001	7.2	7.5	3.5	5	0.5	7.2	7.5	3.5	5	0.5
	10	9	4	7.5	0.5	10	9	4	7.5	0.5
0.0012	7.2	7.5	3.5	5	0.5	7.2	7.5	3.5	5	0.5
	10	9	4	7.5	0.5	10	9	4	7.5	0.5
0.0015	7.2	7.5	3.5	5	0.5	7.2	7.5	3.5	5	0.5
	10	9	4	7.5	0.5	10	9	4	7.5	0.5
0.0018	7.2	7.5	3.5	5	0.5	7.2	7.5	3.5	5	0.5
	10	9	4	7.5	0.5	10	9	4	7.5	0.5
0.0022	7.2	7.5	3.5	5	0.5	7.2	7.5	3.5	5	0.5
	10	9	4	7.5	0.5	10	9	4	7.5	0.5
0.0027	7.2	7.5	3.5	5	0.5	7.2	7.5	3.5	5	0.5
	10	9	4	7.5	0.5	10	9	4	7.5	0.5
0.0033	7.2	7.5	3.5	5	0.5	7.2	7.5	3.5	5	0.5
	10	9	4	7.5	0.5	10	9	4	7.5	0.5
0.0039	7.2	7.5	3.5	5	0.5	7.2	7.5	3.5	5	0.5
	10	9	4	7.5	0.5	10	9	4	7.5	0.5
0.0047	7.2	7.5	3.5	5	0.5	7.2	7.5	3.5	5	0.5
	10	9	4	7.5	0.5	10	9	4	7.5	0.5
0.0056	7.2	7.5	3.5	5	0.5	7.2	7.5	3.5	5	0.5
	10	9	4	7.5	0.5	10	9	4	7.5	0.5
0.0068	7.2	7.5	3.5	5	0.5	7.2	7.5	3.5	5	0.5
	10	9	4	7.5	0.5	10	9	4	7.5	0.5
0.0082	7.2	7.5	3.5	5	0.5	7.2	7.5	3.5	5	0.5
	10	9	4	7.5	0.5	10	9	4	7.5	0.5
0.01	7.2	7.5	3.5	5	0.5	7.2	7.5	3.5	5	0.5
	10	9	4	7.5	0.5	10	9	4	7.5	0.5
0.012	7.2	7.5	3.5	5	0.5	7.2	7.5	3.5	5	0.5
	10	9	4	7.5	0.5	10	9	4	7.5	0.5
0.015	7.2	7.5	3.5	5	0.5	7.2	7.5	3.5	5	0.5
	10	9	4	7.5	0.5	10	9	4	7.5	0.5
0.018	7.2	7.5	3.5	5	0.5	7.2	7.5	3.5	5	0.5
	10	9	4	7.5	0.5	10	9	4	7.5	0.5
0.022	7.2	7.5	3.5	5	0.5	7.2	7.5	3.5	5	0.5
	10	9	4	7.5	0.5	10	9	4	7.5	0.5
0.027	7.2	7.5	3.5	5	0.5	7.2	7.5	3.5	5	0.5
	10	9	4	7.5	0.5	10	9	4	7.5	0.5
0.033	7.2	7.5	3.5	5	0.5	7.2	7.5	3.5	5	0.5
	10	9	4	7.5	0.5	10	9	4	7.5	0.5
0.039	7.2	7.5	3.5	5	0.5	7.2	7.5	3.5	5	0.5
	10	9	4	7.5	0.5	10	9	4	7.5	0.5
0.047	7.2	7.5	3.5	5	0.5	7.2	7.5	3.5	5	0.5
	10	9	4	7.5	0.5	10	9	4	7.5	0.5

Please visit our website to get more update data, those data & specification are subject to change without notice

Mini Box Type Met Polypropylene Film Capacitor – JFMM

STANDARD SIZE (mm)

μF	100VDC					250VDC				
	W ±1.0	H ±1.0	T ±1.0	P ±1.0	d ±0.05	W ±1.0	H ±1.0	T ±1.0	P ±1.0	d ±0.05
0.056	7.2	7.5	3.5	5	0.5	7.2	7.5	3.5	5	0.5
	10	9	4	7.5	0.5	10	9	4	7.5	0.5
0.068	7.2	7.5	3.5	5	0.5	7.2	7.5	3.5	5	0.5
	10	9	4	7.5	0.5	10	9	4	7.5	0.5
0.082	7.2	7.5	3.5	5	0.5	7.2	7.5	3.5	5	0.5
	10	9	4	7.5	0.5	10	9	4	7.5	0.5
0.1	7.2	9.5	4.5	5	0.5	7.2	9.5	4.5	5	0.5
	10	9	4	7.5	0.5	10	9	4	7.5	0.5
0.15	7.2	10	5	5	0.5	7.2	10	5	5	0.5
	10	9	4	7.5	0.5	10	9	4	7.5	0.5
0.22	7.2	11	6	5	0.5	7.2	11	6	5	0.5
	10	9	4	7.5	0.5	10	9	4	7.5	0.5

STANDARD SIZE (mm)

μF	400VDC					630VDC / 1000VDC				
	W ±1.0	H ±1.0	T ±1.0	P ±1.0	d ±0.05	W ±1.0	H ±1.0	T ±1.0	P ±1.0	d ±0.05
0.001	7.2	7.5	3.5	5	0.5	7.2	7.5	3.5	5	0.5
	10	9	4	7.5	0.5	10	9	4	7.5	0.5
0.0012	7.2	7.5	3.5	5	0.5	7.2	7.5	3.5	5	0.5
	10	9	4	7.5	0.5	10	9	4	7.5	0.5
0.0015	7.2	7.5	3.5	5	0.5	7.2	7.5	3.5	5	0.5
	10	9	4	7.5	0.5	10	9	4	7.5	0.5
0.0018	7.2	7.5	3.5	5	0.5	7.2	7.5	3.5	5	0.5
	10	9	4	7.5	0.5	10	9	4	7.5	0.5
0.0022	7.2	7.5	3.5	5	0.5	7.2	7.5	3.5	5	0.5
	10	9	4	7.5	0.5	10	9	4	7.5	0.5
0.0027	7.2	7.5	3.5	5	0.5	7.2	7.5	3.5	5	0.5
	10	9	4	7.5	0.5	10	9	4	7.5	0.5
0.0033	7.2	7.5	3.5	5	0.5	7.2	7.5	3.5	5	0.5
	10	9	4	7.5	0.5	10	9	4	7.5	0.5
0.0039	7.2	7.5	3.5	5	0.5	7.2	7.5	3.5	5	0.5
	10	9	4	7.5	0.5	10	9	4	7.5	0.5
0.0047	7.2	7.5	3.5	5	0.5	7.2	7.5	3.5	5	0.5
	10	9	4	7.5	0.5	10	9	4	7.5	0.5
0.0056	7.2	7.5	3.5	5	0.5	7.2	7.5	3.5	5	0.5
	10	9	4	7.5	0.5	10	9	4	7.5	0.5
0.0068	7.2	7.5	3.5	5	0.5	7.2	7.5	3.5	5	0.5
	10	9	4	7.5	0.5	10	9	4	7.5	0.5
0.0082	7.2	7.5	3.5	5	0.5	7.2	7.5	3.5	5	0.5
	10	9	4	7.5	0.5	10	9	4	7.5	0.5
0.01	7.2	7.5	3.5	5	0.5	7.2	7.5	3.5	5	0.5
	10	9	4	7.5	0.5					
0.012	7.2	7.5	3.5	5	0.5	7.2	9.5	4.5	5	0.5
	10	9	4	7.5	0.5					
0.015	7.2	7.5	3.5	5	0.5	7.2	9.5	4.5	5	0.5
	10	9	4	7.5	0.5					
0.018	7.2	7.5	3.5	5	0.5	7.2	9.5	4.5	5	0.5
	10	9	4	7.5	0.5					
0.022	7.2	7.5	3.5	5	0.5	7.2	9.5	4.5	5	0.5
	10	9	4	7.5	0.5					
0.027	7.2	7.5	3.5	5	0.5	7.2	9.5	4.5	5	0.5
	10	9	4	7.5	0.5					
0.033	7.2	9.5	4.5	5	0.5	7.2	10	5	5	0.5
	10	11	5	7.5	0.5					
0.039	7.2	9.5	4.5	5	0.5	7.2	10	5	5	0.5
	10	11	5	7.5	0.5					
0.047	7.2	9.5	4.5	5	0.5	7.2	11	6	5	0.5
	10	11	5	7.5	0.5					
0.056	7.2	9.5	4.5	5	0.5	7.2	11	6	5	0.5
	10	11	5	7.5	0.5					
0.068	7.2	10	5	5	0.5					
	10	11	5	7.5	0.5					
0.082	7.2	10	5	5	0.5					
	10	11	5	7.5	0.5					
0.1	7.2	11	6	5	0.5					
	10	11	5	7.5	0.5					

Please visit our website to get more update data, those data & specification are subject to change without notice.