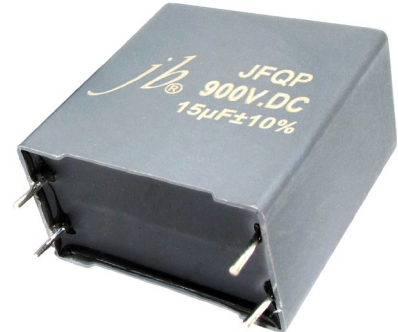


Metallized polypropylene film capacitors DC link-high power-JFQP

FEATURES

- High ripple current, high dv/dt withstand capability.
- Low ESL and ESR
- Plastic case, epoxy resin sealing (UL 94V-0)
- DC-Link and coupling/filtering for Inverter, Industrial and high-end power supplies and Solar inverters

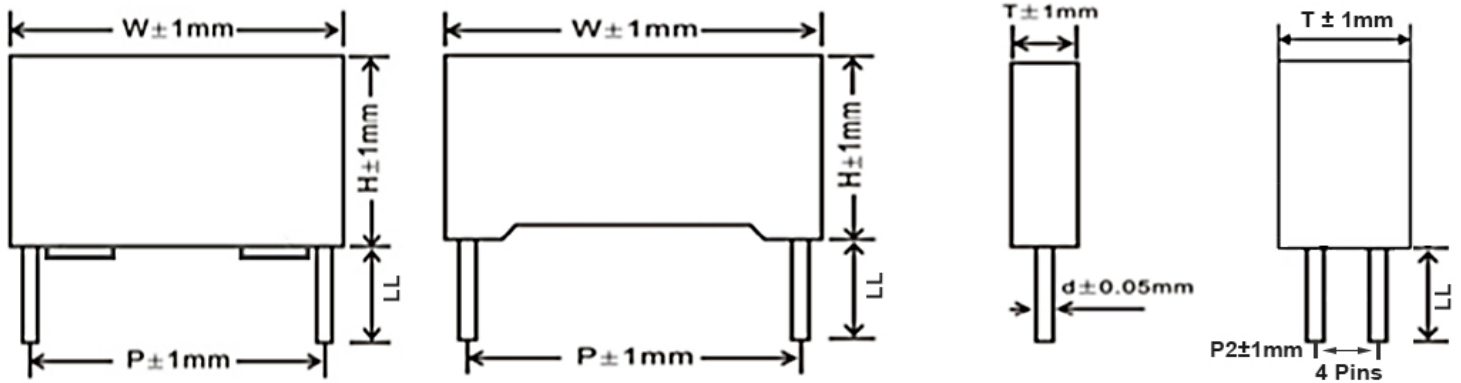


SPECIFICATIONS

Reference standards	GB/T17702 IEC61071
Operating Temperature	-40°C ~ +105°C
Voltage Rating	500VDC--1200VDC
Capacitance Range	0.68µF ~ 110µF
Capacitance Tolerance	±5% (J) ±10% (K)
Insulation Resistance	≥5000S (100VDC, 25°C±5°C, 60s)
Voltage test between terminals	1.5*Un (10S 25°C±5°C)
Voltage test between terminals and case	(√2Un+1000)V.AC (10S, 50/60Hz, 25°C±5°C)
Dissipation Factor	tg δ ≤ 20*10 ⁻⁴ (25°C±5°C, 1KHz)
Max. Altitude	2000m

Metallized polypropylene film capacitors DC link-high power-JFQP

DRAWING:



Note: Special requirements can be designed according to customer requirements

P/N for P2: please refer to our [Part Number System](#) special require for JFQP

Eg: JFQP2U156K275000B102

Dimensions Table for 500VDC:

(Unit : mm)

TYPE							
CAP (uF)	W±1	LL±1.0	T±1.0	H±1.0	P±1.0	P2±1.0	d Ø±0.05
5.0	32	6	11	20	27.5	--	0.8
10.0	32	6	15	24.5	27.5	--	0.8
22.0	32	6	22	37	27.5	--	0.8
30.0	42	6	20	40	37.5	10.2	1
35.0	42	6	24	36	37.5	10.2	1
40.0	42	6	27.5	37.5	37.5	10.2	1
50.0	42	6	28	43	37.5	10.2	1.2
50.0	42	6	30	45	37.5	20.3	1.2
60.0	42	6	30	45	37.5	20.3	1.2
75.0	57	6	29.5	43.5	52.5	10.2	1.2
75.0	57	6	29.5	43.5	52.5	20.3	1.2
80.0	57	6	29.5	43.5	52.5	20.3	1.2
100.0	57	6	35	50	52.5	20.3	1.2
110.0	57	6	35	50	52.5	20.3	1.2

***Please contact us for special item or size not listed .**

Please visit our website to get more update data, those data & specification are subject to change without notice.

Metallized polypropylene film capacitors DC link-high power-JFQP

Dimensions Table for 600VDC:

(Unit : mm)

TYPE							
CAP (uF)	W±1	LL±1.0	T±1.0	H±1.0	P±1.0	P2±1.0	d Ø±0.05
2.0	32	6	9	18	27.5	--	0.8
3.0	32	6	11	20	27.5	--	0.8
4.0	32	6	11	22	27.5	--	0.8
5.0	32	6	13	22	27.5	--	0.8
6.0	32	6	15	24.5	27.5	--	0.8
7.0	32	6	15	24.5	27.5	--	0.8
8.0	32	6	14	28	27.5	--	0.8
9.0	32	6	16	30	27.5	--	0.8
10.0	32	6	16	30	27.5	--	0.8
10.0	41	6	16	30	37.5	--	1
12.0	32	6	18	33	27.5	--	0.8
12.0	41	6	16	30	37.5	--	1
15.0	32	6	18	33	27.5	--	0.8
15.0	32	6	18	33	27.5	10.2	0.8
15.0	41	6	18.5	33.5	37.5	--	1
18.0	32	6	18	33	27.5	--	0.8
18.0	32	6	18	33	27.5	10.2	0.8
20.0	42	6	20	40	37.5	10.2	1
22.0	42	6	20	40	37.5	10.2	1
25.0	42	6	20	40	37.5	10.2	1
30.0	42	6	24	44	37.5	10.2	1
35.0	42	6	30	45	37.5	10.2	1.2
35.0	42	6	30	45	37.5	20.3	1.2
40.0	42	6	30	45	37.5	10.2	1.2
40.0	42	6	30	45	37.5	20.3	1.2
40.0	57	6	25	45	52.5	10.2	1.2
45.0	42	6	35	50	37.5	10.2	1.2
45.0	42	6	35	50	37.5	20.3	1.2
45.0	57	6	25	45	52.5	10.2	1.2
50.0	42	6	35	50	37.5	20.3	1.2
50.0	57	6	25	45	52.5	10.2	1.2
55.0	42	6	35	50	37.5	20.3	1.2
55.0	57	6	29.5	43.5	52.5	10.2	1.2
55.0	57	6	29.5	43.5	52.5	20.3	1.2

*Please contact us for special item or size not listed .

Please visit our website to get more update data, those data & specification are subject to change without notice.

Metallized polypropylene film capacitors DC link-high power-JFQP

Dimensions Table for 600VDC

TYPE							
CAP (uF)	W±1	LL±1.0	T±1.0	H±1.0	P±1.0	P2±1.0	d Ø±0.05
60.0	42	6	40	55	37.5	20.3	1.2
60.0	57	6	29.5	43.5	52.5	10.2	1.2
60.0	57	6	29.5	43.5	52.5	20.3	1.2
65.0	42	6	40	55	37.5	20.3	1.2
65.0	57	6	35	50	52.5	10.2	1.2
65.0	57	6	35	50	52.5	20.3	1.2
70.0	42	6	40	55	37.5	20.3	1.2
70.0	57	6	35	50	52.5	20.3	1.2
75.0	42	6	45	60	37.5	20.3	1.2
75.0	57	6	35	50	52.5	20.3	1.2
80.0	42	6	45	60	37.5	20.3	1.2
80.0	57	6	35	50	52.5	20.3	1.2
85.0	42	6	45	60	37.5	20.3	1.2
85.0	57	6	45	55	52.5	20.3	1.2
90.0	57	6	45	55	52.5	20.3	1.2
95.0	57	6	45	55	52.5	20.3	1.2
100.0	57	6	45	55	52.5	20.3	1.2
110.0	57	6	45	55	52.5	20.3	1.2
120.0	57	6	45	65	52.5	20.3	1.2
130.0	57	6	45	65	52.5	20.3	1.2
140.0	57	6	45	65	52.5	20.3	1.2

***Please contact us for special item or size not listed .**

Please visit our website to get more update data, those data & specification are subject to change without notice.

Metallized polypropylene film capacitors DC link-high power-JFQP

Dimensions Table for 800VDC

CAP (uF)	TYPE						
	W±1	LL±1.0	T±1.0	H±1.0	P±1.0	P2±1.0	d Ø±0.05
2.0	32	6	9	18	27.5	--	0.8
3.0	32	6	11	20	27.5	--	0.8
3.3	32	6	16	30	27.5	--	0.8
4.0	32	6	13	25	27.5	--	0.8
5.0	32	6	15	24.5	27.5	--	0.8
6.0	32	6	16	30	27.5	--	0.8
7.0	32	6	16	30	27.5	--	0.8
8.0	32	6	18	33	27.5	--	0.8
8.0	41	6	16	30	37.5	--	1
9.0	32	6	18	33	27.5	--	0.8
9.0	41	6	16	30	37.5	--	1
10.0	32	6	22	37	27.5	--	0.8
10.0	32	6	22	37	27.5	10.2	0.8
10.0	41	6	18.5	33.5	37.5	--	1
11.0	32	6	22	37	27.5	--	0.8
11.0	32	6	22	37	27.5	10.2	0.8
12.0	32	6	22	37	27.5	--	0.8
12.0	32	6	22	37	27.5	10.2	0.8
12.0	41	6	20	33.5	37.5	--	1
13.0	32	6	22	37	27.5	--	0.8
13.0	32	6	22	37	27.5	10.2	0.8
14.0	32	6	22	37	27.5	--	0.8
14.0	32	6	22	37	27.5	10.2	0.8
15.0	42	6	20	40	37.5	10.2	1
20.0	42	6	24	44	37.5	10.2	1
25.0	42	6	30	44	37.5	10.2	1
25.0	57	6	25	45	52.5	10.2	1.2
30.0	42	6	30	45	37.5	10.2	1.2
30.0	42	6	30	45	37.5	20.3	1.2
30.0	57	6	25	45	52.5	10.2	1.2
35.0	42	6	35	45	37.5	20.3	1.2
35.0	57	6	25	45	52.5	10.2	1.2

***Please contact us for special item or size not listed .**

Please visit our website to get more update data, those data & specification are subject to change without notice.

Metallized polypropylene film capacitors DC link-high power-JFQP

Dimensions Table for 800VDC

CAP (uF)	TYPE						
	W±1	LL±1.0	T±1.0	H±1.0	P±1.0	P2±1.0	d Ø±0.05
40.0	42	6	35	50	37.5	20.3	1.2
40.0	57	6	29.5	43.5	52.5	10.2	1.2
40.0	57	6	29.5	43.5	52.5	20.3	1.2
45.0	42	6	40	50	37.5	20.3	1.2
45.0	57	6	29.5	43.5	52.5	10.2	1.2
45.0	57	6	29.5	43.5	52.5	20.3	1.2
50.0	42	6	40	55	37.5	20.3	1.2
50.0	57	6	35	50	52.5	10.2	1.2
50.0	57	6	35	50	52.5	20.3	1.2
55.0	42	6	45	55	37.5	20.3	1.2
55.0	57	6	35	50	52.5	20.3	1.2
60.0	42	6	45	60	37.5	20.3	1.2
65.0	42	6	45	60	37.5	20.3	1.2
60.0	57	6	35	50	52.5	20.3	1.2
65.0	57	6	45	55	52.5	20.3	1.2
70.0	57	6	45	55	52.5	20.3	1.2
75.0	57	6	45	55	52.5	20.3	1.2
80.0	57	6	45	55	52.5	20.3	1.2
85.0	57	6	45	55	52.5	20.3	1.2
90.0	57	6	45	55	52.5	20.3	1.2
95.0	57	6	45	65	52.5	20.3	1.2
100.0	57	6	45	65	52.5	20.3	1.2
110.0	57	6	45	65	52.5	20.3	1.2

***Please contact us for special item or size not listed .**

Please visit our website to get more update data, those data & specification are subject to change without notice.

Metallized polypropylene film capacitors DC link-high power-JFQP

Dimensions Table for 900VDC

CAP (uF)	TYPE						
	W±1	LL±1.0	T±1.0	H±1.0	P±1.0	P2±1.0	d Ø±0.05
1.0	32	6	9	18	27.5	--	0.8
2.0	32	6	11	20	27.5	--	0.8
3.0	32	6	13	22	27.5	--	0.8
4.0	32	6	15	24.5	27.5	--	0.8
4.7	41	6	15	26	37.5	--	1
4.7	41	6	16	30	37.5	--	1
5.0	32	6	16	30	27.5	--	0.8
6.0	32	6	18	33	27.5	--	0.8
6.0	41	6	16	30	37.5	--	1
7.0	32	6	18	33	27.5	--	0.8
7.0	41	6	16	30	37.5	--	1
8.0	32	6	22	37	27.5	--	0.8
8.0	32	6	22	37	27.5	10.2	0.8
8.0	41	6	18	33	37.5	--	1
9.0	32	6	22	37	27.5	--	0.8
9.0	32	6	22	37	27.5	10.2	0.8
10.0	32	6	22	37	27.5	--	0.8
10.0	32	6	22	37	27.5	10.2	0.8
10.0	42	6	20	40	37.5	10.2	1
12.0	41	6	22	37	37.5	10.2	1
15.0	42	6	24	44	37.5	10.2	1
15.0	57	6	25	45	52.5	10.2	1.2
18.0	42	6	24	44	37.5	10.2	1
20.0	42	6	24	44	37.5	10.2	1
20.0	57	6	25	45	52.5	10.2	1.2
25.0	42	6	30	45	37.5	10.2	1.2
25.0	42	6	30	45	37.5	20.3	1.2
25.0	57	6	25	45	52.5	10.2	1.2
30.0	42	6	35	50	37.5	20.3	1.2
30.0	57	6	29.5	43.5	52.5	10.2	1.2
30.0	57	6	29.5	43.5	52.5	20.3	1.2
35.0	42	6	40	55	37.5	20.3	1.2
35.0	57	6	29.5	43.5	52.5	10.2	1.2
35.0	57	6	29.5	43.5	52.5	20.3	1.2

***Please contact us for special item or size not listed .**

Please visit our website to get more update data, those data & specification are subject to change without notice.

Metallized polypropylene film capacitors DC link-high power-JFQP

Dimensions Table for 900VDC

CAP (uF)	TYPE						
	W±1	LL±1.0	T±1.0	H±1.0	P±1.0	P2±1.0	d Ø±0.05
40.0	42	6	40	55	37.5	20.3	1.2
40.0	57	6	35	50	52.5	20.3	1.2
45.0	42	6	45	60	37.5	20.3	1.2
45.0	57	6	35	50	52.5	20.3	1.2
50.0	42	6	45	60	37.5	20.3	1.2
50.0	57	6	35	50	52.5	20.3	1.2
55.0	57	6	45	55	52.5	20.3	1.2
60.0	57	6	45	55	52.5	20.3	1.2
65.0	57	6	45	55	52.5	20.3	1.2
70.0	57	6	35	65	52.5	20.3	1.2
75.0	57	6	35	65	52.5	20.3	1.2
80.0	57	6	35	65	52.5	20.3	1.2
85.0	57	6	35	65	52.5	20.3	1.2

***Please contact us for special item or size not listed .**

Please visit our website to get more update data, those data & specification are subject to change without notice.

Metallized polypropylene film capacitors DC link-high power-JFQP

Dimensions Table for 1000VDC

CAP (uF)	TYPE						
	W±1	LL±1.0	T±1.0	H±1.0	P±1.0	P2±1.0	d Ø±0.05
1.0	32	6	9	18	27.5	--	0.8
2.0	32	6	13	22	27.5	--	0.8
3.0	32	6	15	24.5	27.5	--	0.8
4.0	32	6	16	30	27.5	--	0.8
5.0	32	6	18	33	27.5	--	0.8
5.0	41	6	16	30	37.5	--	1
6.0	32	6	18	33	27.5	--	0.8
6.0	41	6	16	30	37.5	--	1
7.0	32	6	22	37	27.5	--	0.8
7.0	32	6	22	37	27.5	10.2	0.8
7.0	41	6	18	33	37.5	--	1
8.0	32	6	22	37	27.5	--	0.8
8.0	32	6	22	37	27.5	10.2	0.8
8.0	41	6	18	33	37.5	--	1
10.0	42	6	20	40	37.5	--	1
10.0	42	6	20	40	37.5	10.2	1
12.0	41	6	22	37	37.5	--	1
12.0	41	6	22	37	37.5	10.2	1
15.0	42	6	24	44	37.5	10.2	1
15.0	57	6	25	45	52.5	10.2	1.2
18.0	42	6	30	45	37.5	10.2	1
18.0	42	6	30	45	37.5	20.3	1
20.0	42	6	30	45	37.5	10.2	1
20.0	42	6	30	45	37.5	20.3	1
20.0	57	6	25	45	52.5	10.2	1.2
25.0	42	6	35	50	37.5	20.3	1
25.0	57	6	25	45	52.5	10.2	1.2
30.0	42	6	40	50	37.5	20.3	1
30.0	57	6	30	45	52.5	10.2	1.2
30.0	57	6	30	45	52.5	20.3	1.2
35.0	42	6	40	50	37.5	20.3	1
35.0	57	6	35	50	52.5	20.3	1.2

***Please contact us for special item or size not listed .**

Please visit our website to get more update data, those data & specification are subject to change without notice.

Metallized polypropylene film capacitors DC link-high power-JFQP

Dimensions Table for 1000VDC

TYPE							
CAP (uF)	W±1	LL±1.0	T±1.0	H±1.0	P±1.0	P2±1.0	d Ø±0.05
40.0	42	6	45	60	37.5	20.3	1
40.0	57	6	35	50	52.5	20.3	1.2
45.0	57	6	45	55	52.5	20.3	1.2
50.0	57	6	45	55	52.5	20.3	1.2
55.0	57	6	45	55	52.5	20.3	1.2
60.0	57	6	45	65	52.5	20.3	1.2
70.0	57	6	45	65	52.5	20.3	1.2

***Please contact us for special item or size not listed .**

Please visit our website to get more update data, those data & specification are subject to change without notice.

Metallized polypropylene film capacitors DC link-high power-JFQP

Dimensions Table for 1100VDC

CAP (uF)	TYPE						
	W±1	LL±1.0	T±1.0	H±1.0	P±1.0	P2±1.0	d Ø±0.05
0.68	32	6	11	20	27.5	--	0.8
1.0	32	6	11	20	27.5	--	0.8
2.0	32	6	13	25	27.5	--	0.8
3.0	32	6	16	30	27.5	--	0.8
3.0	41	6	16	30	37.5	--	1
4.0	32	6	18	33	27.5	--	0.8
4.0	41	6	16	30	37.5	--	1
5.0	32	6	22	37	27.5	--	0.8
5.0	32	6	22	37	27.5	10.2	0.8
5.0	41	6	18.5	33.5	37.5	--	1
6.0	32	6	22	37	27.5	--	0.8
6.0	32	6	22	37	27.5	10.2	0.8
6.0	41	6	18.5	33.5	37.5	--	1
7.0	42	6	20	40	37.5	10.2	1
8.0	42	6	20	40	37.5	10.2	1
9.0	42	6	20	40	37.5	10.2	1
10.0	42	6	24	44	37.5	10.2	1
12.0	42	6	24	44	37.5	--	1
12.0	42	6	24	44	37.5	10.2	1
15.0	42	6	30	45	37.5	10.2	1.2
15.0	42	6	30	45	37.5	20.3	1.2
15.0	57	6	25	45	52.5	10.2	1.2
18.0	42	6	35	50	37.5	20.3	1.2
20.0	42	6	35	50	37.5	20.3	1.2
20.0	57	6	29.5	43.5	52.5	10.2	1.2
20.0	57	6	29.5	43.5	52.5	20.3	1.2
25.0	42	6	40	55	37.5	20.3	1.2
25.0	57	6	35	50	52.5	20.3	1.2
30.0	42	6	45	60	37.5	20.3	1.2
30.0	57	6	35	50	52.5	20.3	1.2
35.0	57	6	45	55	52.5	20.3	1.2
40.0	57	6	45	55	52.5	20.3	1.2
45.0	57	6	45	55	52.5	20.3	1.2
50.0	57	6	45	65	52.5	20.3	1.2
55.0	57	6	45	65	52.5	20.3	1.2

***Please contact us for special item or size not listed .**

Please visit our website to get more update data, those data & specification are subject to change without notice.

Metallized polypropylene film capacitors DC link-high power-JFQP

Dimensions Table for 1200VDC

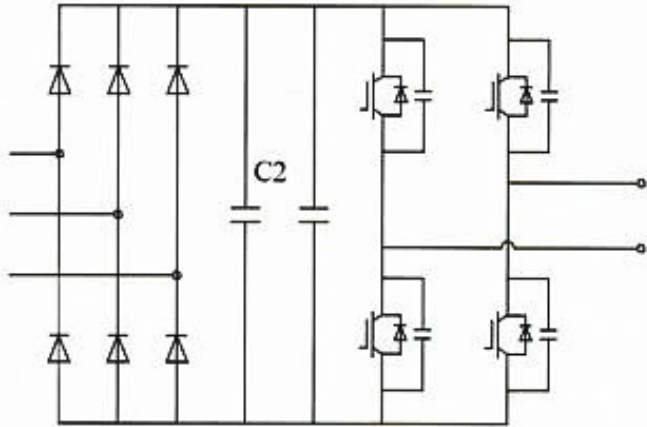
CAP (uF)	TYPE						
	W±1	LL±1.0	T±1.0	H±1.0	P±1.0	P2±1.0	d Ø±0.05
1.0	32	6	11	22	27.5	--	0.8
2.0	32	6	15	24.5	27.5	--	0.8
3.0	32	6	16	30	27.5	--	0.8
3.0	41	6	16	30	37.5	--	1
4.0	32	6	18	33	27.5	--	0.8
4.0	41	6	16	30	37.5	--	1
5.0	32	6	22	37	27.5	--	0.8
5.0	32	6	22	37	27.5	10.2	0.8
5.0	41	6	18.5	33.5	37.5	--	1
6.0	42	6	20	40	37.5	--	1
7.0	41	6	22	37	37.5	10.2	1
8.0	42	6	24	44	37.5	10.2	1
9.0	42	6	24	44	37.5	10.2	1
10.0	42	6	24	44	37.5	10.2	1
12.0	42	6	30	45	37.5	10.2	1.2
12.0	42	6	30	45	37.5	20.3	1.2
12.0	57	6	25	45	52.5	10.2	1.2
15.0	42	6	35	50	37.5	20.3	1.2
15.0	57	6	25	45	52.5	10.2	1.2
18.0	42	6	35	50	37.5	20.3	1.2
20.0	42	6	40	55	37.5	20.3	1.2
20.0	57	6	29.5	43.5	52.5	10.2	1.2
20.0	57	6	29.5	43.5	52.5	20.3	1.2
20.0	57	6	30	45	52.5	10.2	1.2
20.0	57	6	30	45	52.5	20.3	1.2
25.0	42	6	45	60	37.5	20.3	1.2
25.0	57	6	35	50	52.5	20.3	1.2
30.0	57	6	45	55	52.5	20.3	1.2
35.0	57	6	45	55	52.5	20.3	1.2
40.0	57	6	45	65	52.5	20.3	1.2
45.0	57	6	45	65	52.5	20.3	1.2

***Please contact us for special item or size not listed .**

Please visit our website to get more update data, those data & specification are subject to change without notice.

Metallized polypropylene film capacitors DC link-high power-JFQP

Typical circuit



Expected lifetime curve

